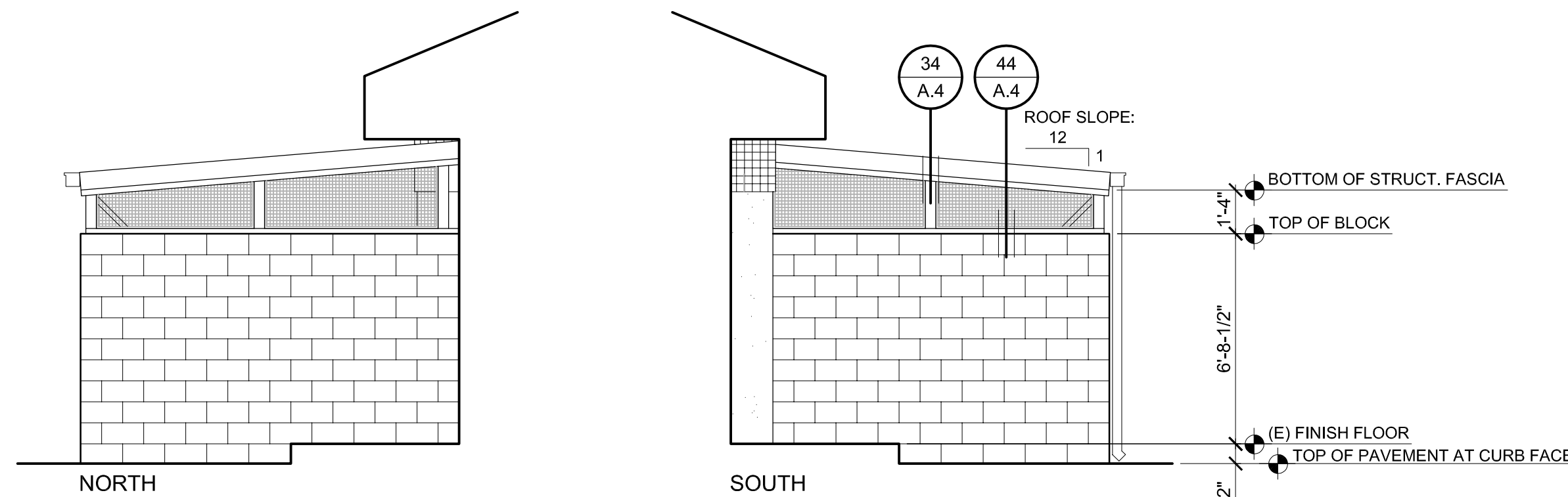


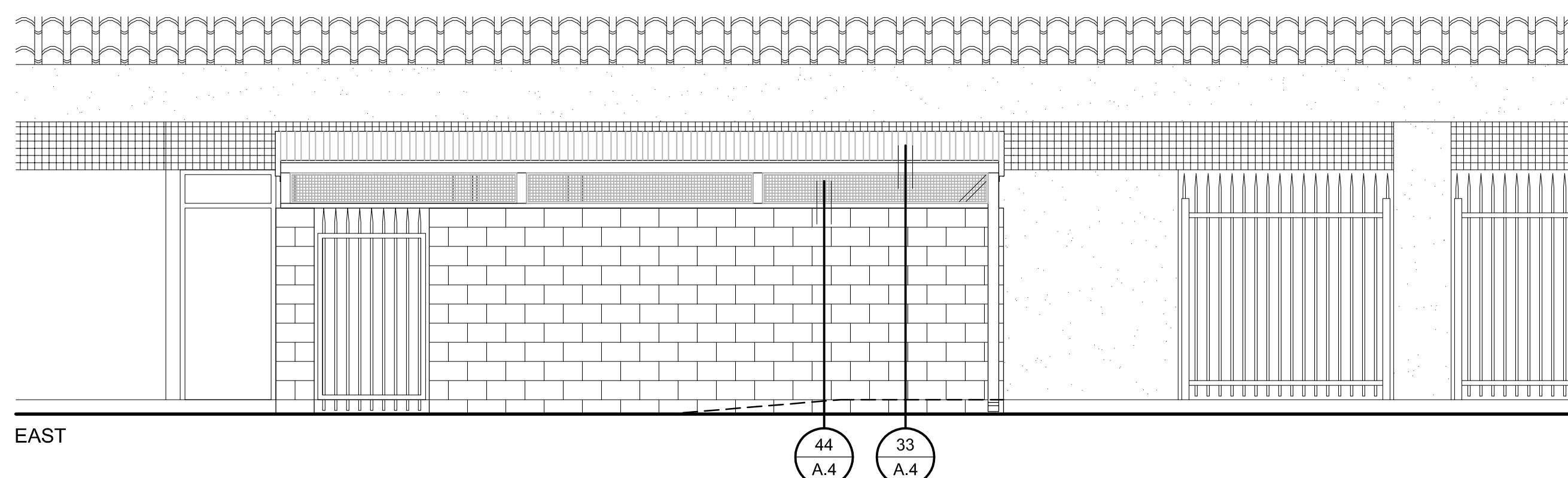
The use of these plans and specifications shall be restricted to the original site for which they were prepared and publication thereof is expressly limited to such use. Reproduction or publication by any method, in whole or in part, is prohibited. Title to these plans and specifications remain with the architect without prejudice. Visual contact with these plans and specifications shall constitute prima facie evidence of the acceptance of these restrictions.

Written dimensions on these drawings shall have precedence over scaled dimensions. Contractors shall verify and be responsible for all dimensions and existing conditions on the job and shall report any discrepancies to the architect for resolution prior to commencing work.

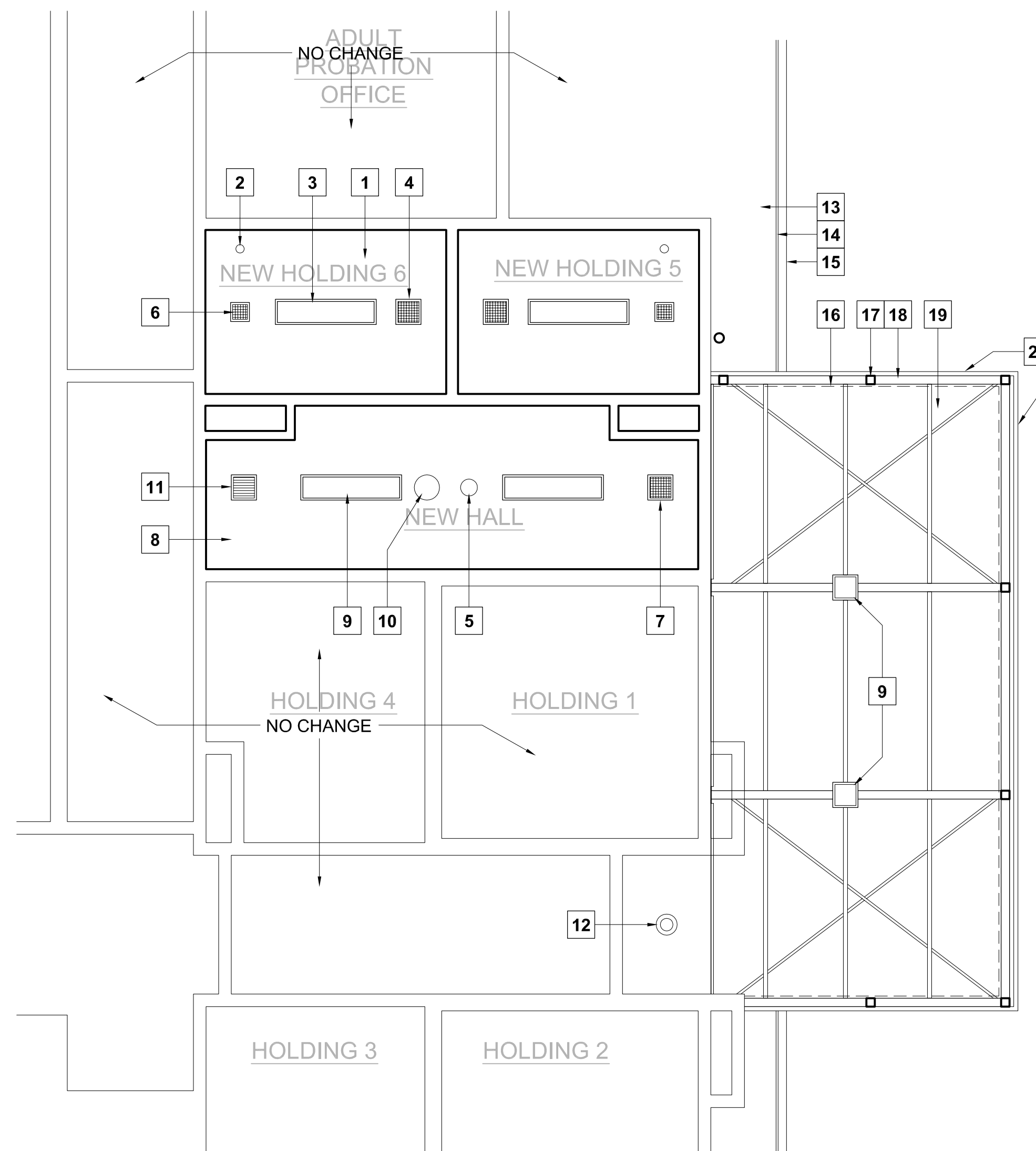


51 SALLY PORT ELEVATION
SCALE: 1/4" = 1'-0"

41 SALLY PORT ELEVATION
SCALE: 1/4" = 1'-0"



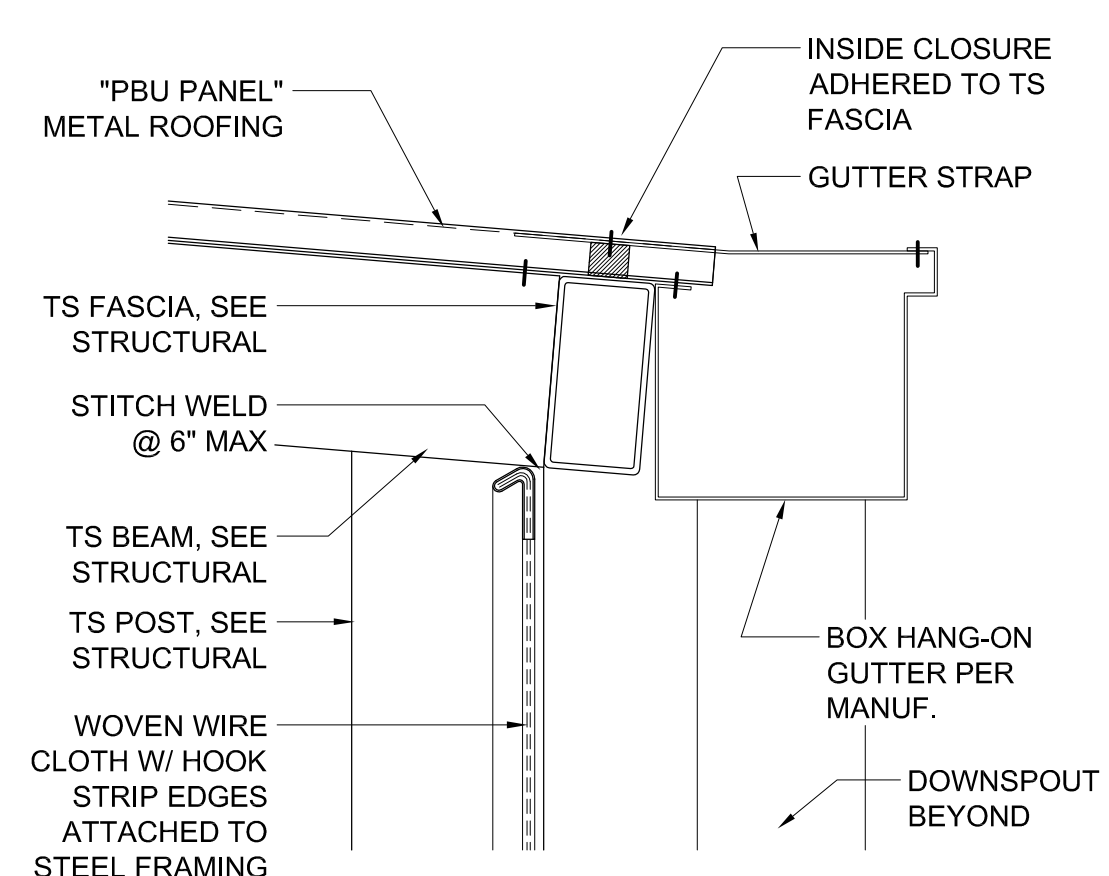
52 SALLY PORT ELEVATION
SCALE: 1/4" = 1'-0"



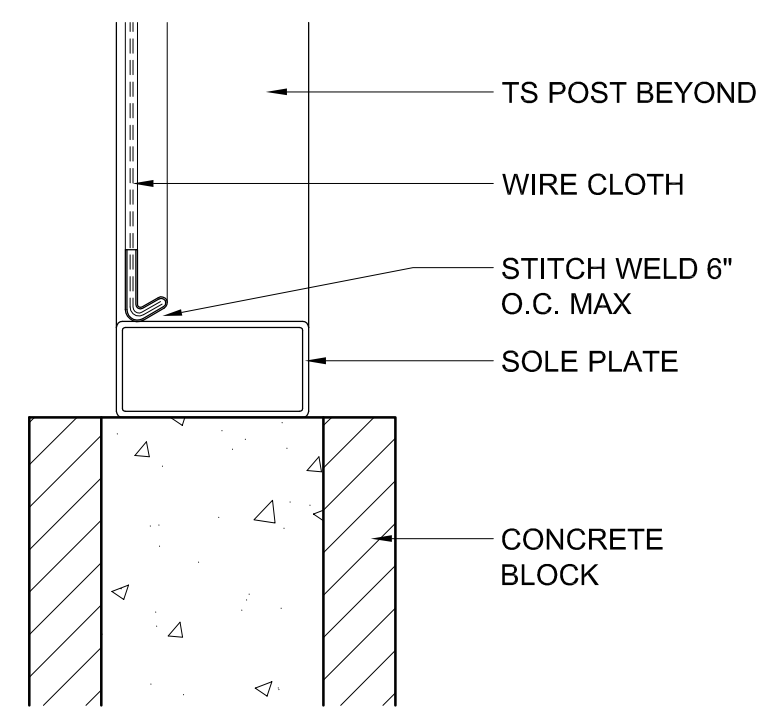
REFLECTED CEILING PLAN
SCALE: 1/4" = 1'-0"

REFLECTED CEILING PLAN KEYNOTES

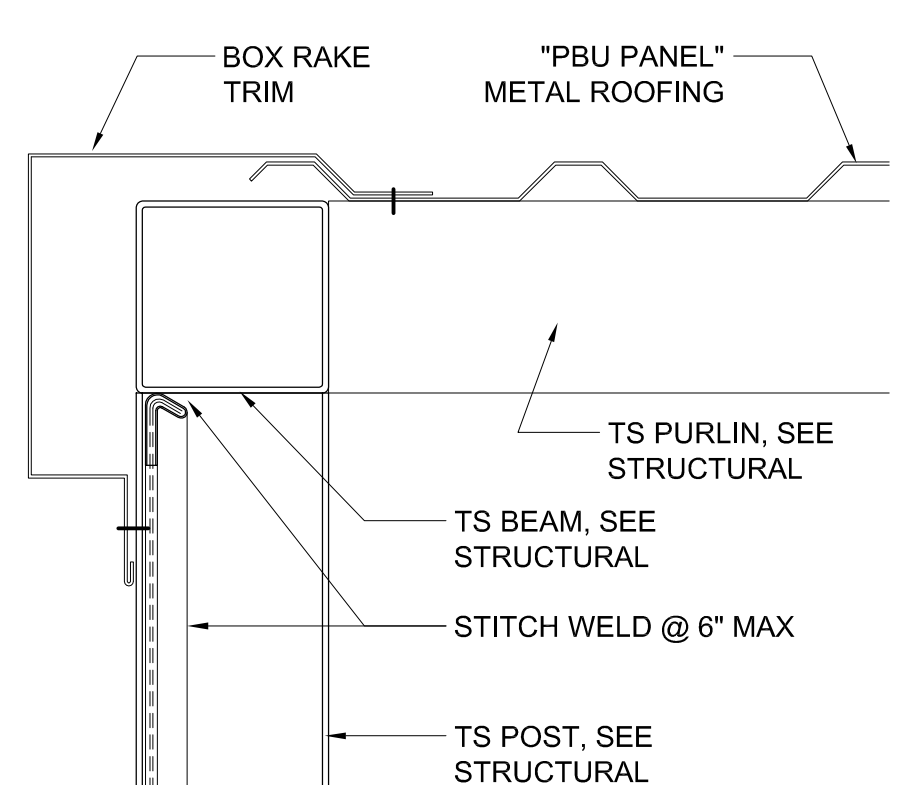
1. PAINTED PLASTER CEILING AT +8'-6".
2. CCTV SURFACE CEILING CAMERA.
3. SURFACE MOUNTED VANDAL RESISTANT LIGHT FIXTURE.
4. HARDENED SUPPLY AIR REGISTER.
5. SURFACE CEILING SMOKE DETECTOR.
6. HARDENED EXHAUST GRILLE.
7. EXHAUST GRILLE.
8. PAINTED GYPSUM BOARD CEILING AT +8'-6".
9. SURFACE MOUNTED LIGHT FIXTURE.
10. CEILING SPEAKER.
11. SUPPLY AIR REGISTER.
12. EXISTING RECESSED LIGHT FIXTURE.
13. EXISTING PLASTER SOFFIT.
14. EXISTING RAIN DRIP.
15. LINE OF SOFFIT EDGE.
16. WIRE MESH SECURITY SCREEN.
17. METAL COLUMN.
18. METAL ROOF FRAMING.
19. METAL ROOFING.
20. LINE OF METAL ROOF EDGE.



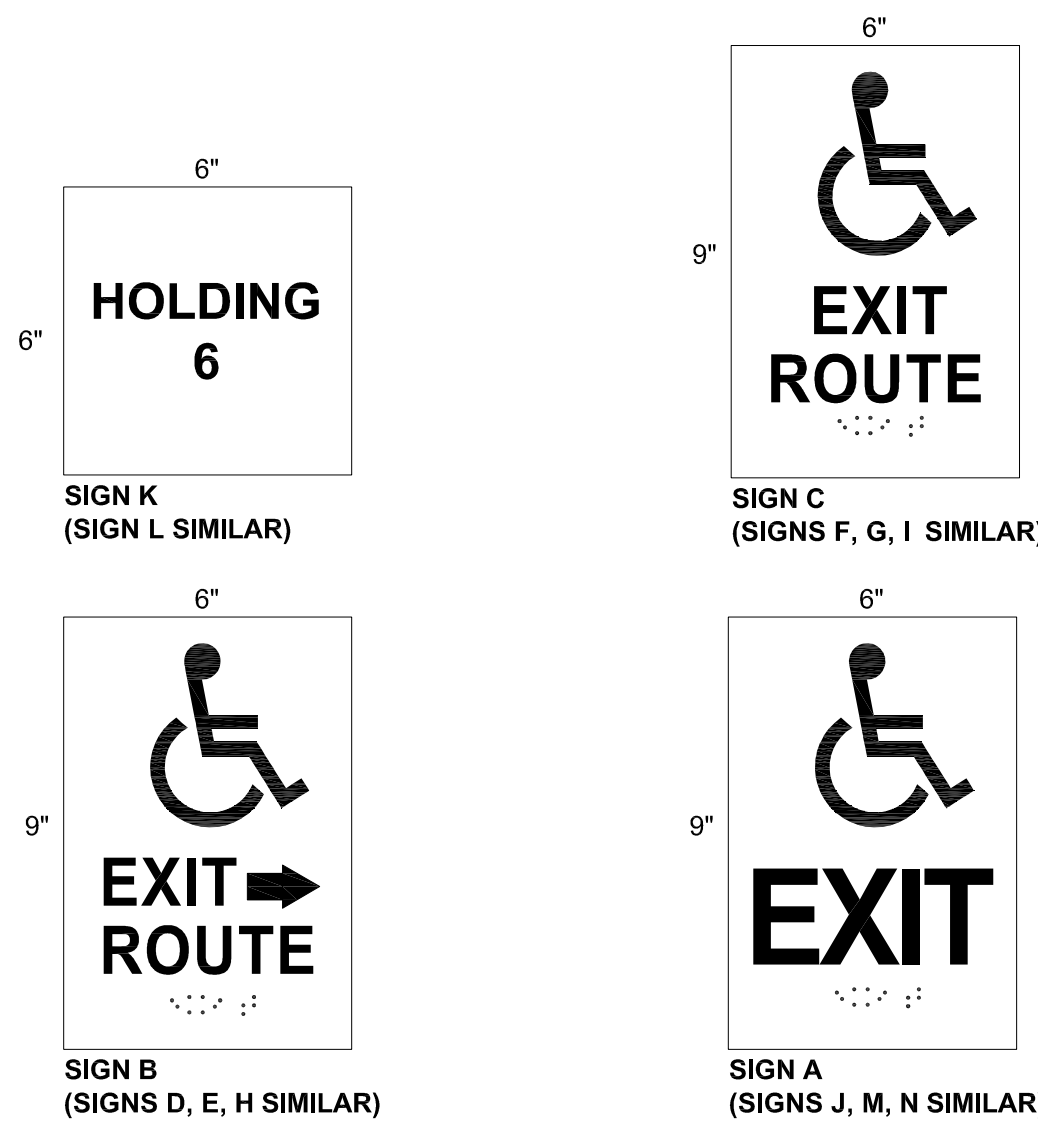
33 GUTTER ATTACHMENT
3"=1'-0"



44 SCREEN AT WALL
3"=1'-0"



34 RAKE EDGE
3"=1'-0"



54 SIGN DETAILS
3"=1'-0"