

NEW COMMON BUILDING

LAS TABLAS ROAD
TEMPLETON, CA

CLIENT JOB # ARCHITECT JOB #
0708B

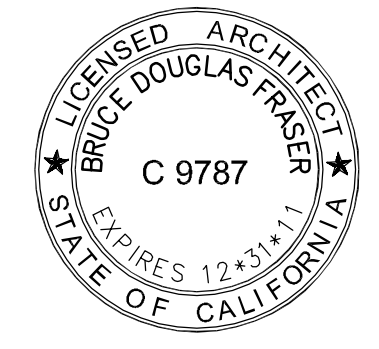


PROJECT MANAGER BDF

DRAWN BY DDL

DATES	DESIGN DEVELOPMENT	4/15/10
	FIRST SUBMITTAL	6/02/10
	PLAN CHECK 1	8/16/10

SIGNED



The use of these plans and specifications shall be restricted to the original site for which they were prepared and publication thereof is expressly limited to such use. Reproduction or publication by any method, in whole or in part, is prohibited. Title to these plans and specifications remain with the architect without prejudice. Visual contact with these plans and specifications shall constitute prima facie evidence of the acceptance of these restrictions.

SHEET TITLE

COMMON BUILDING FLOOR PLAN

SHEET #

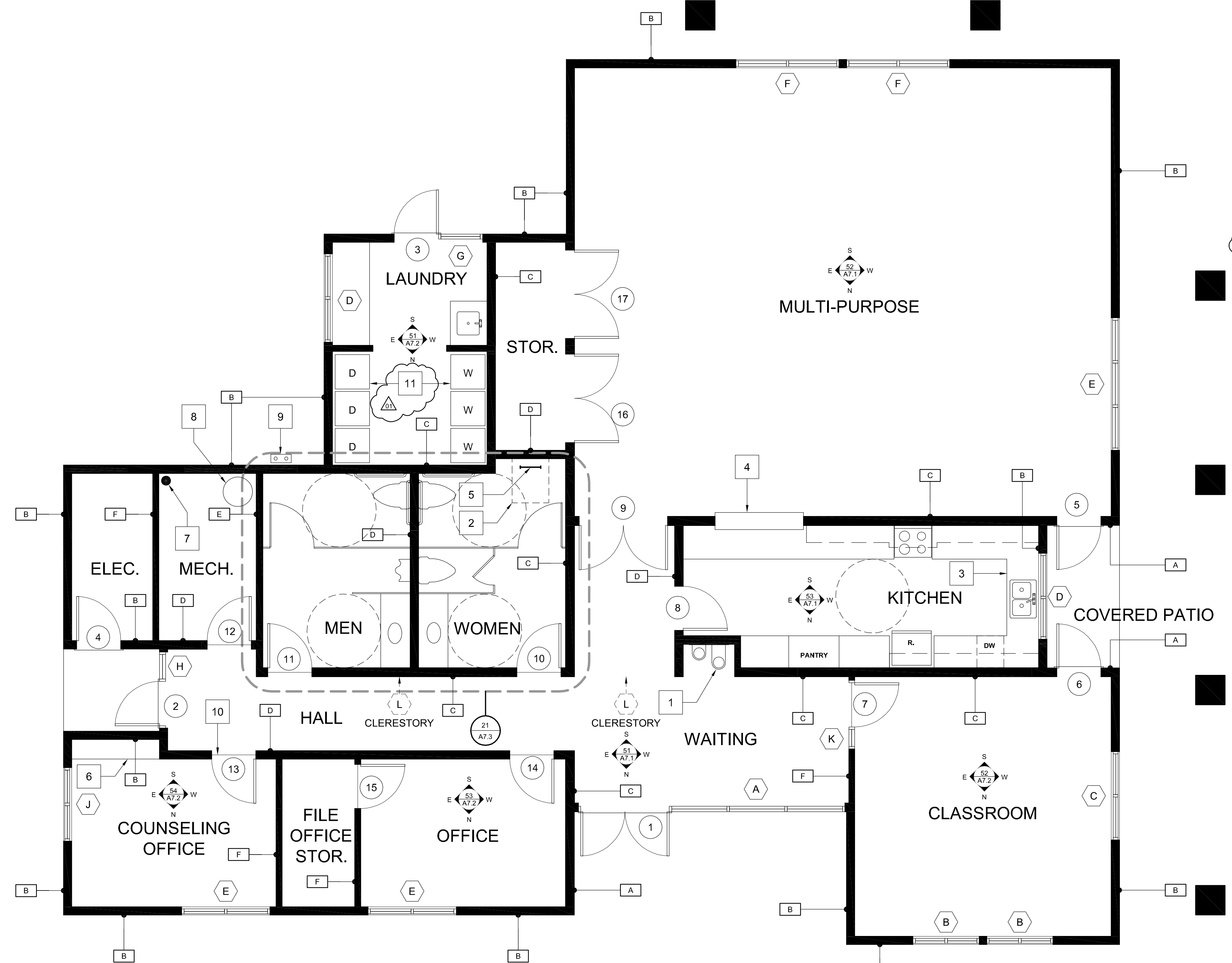
A2.3

KEYNOTES:

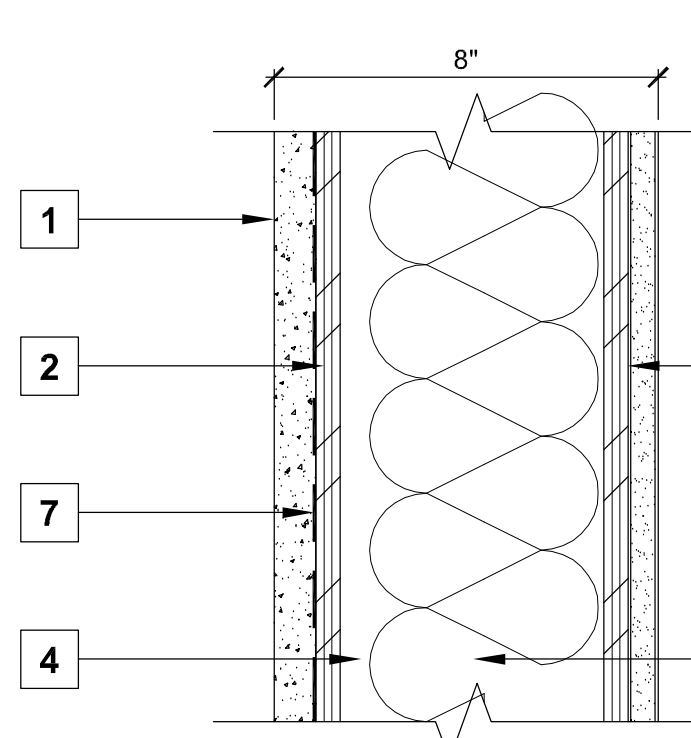
- HI / LOW WATER FOUNTAIN. SEE DETAIL 14 / A7.3.
- ROOF ACCESS HATCH WITH INTEGRATED SKYLIGHT.
- CORRIAN COUNTER TOP, TYP.
- PASS-THROUGH WINDOW WITH ROLL-UP SHUTTERS. SEE DETAIL 54 / A9.5.
- ROOF ACCESS LADDER. SEE DETAILS 44 & 45 / A9.3.
- BUILT-IN SHELVES.
- FIRE RISER.
- WATER HEATER. SEE PLUMBING PLANS.
- GAS METER.
- LINE OF FLOORING CHANGE.
- WASHING MACHINES AND CLOTHES DRYERS IN ACCESSIBLE COMMON USE LAUNDRY ROOMS SHALL BE FRONT LOADING AS PER 2007 CBC 1127A.10.4.

WALL TYPE KEYNOTES:

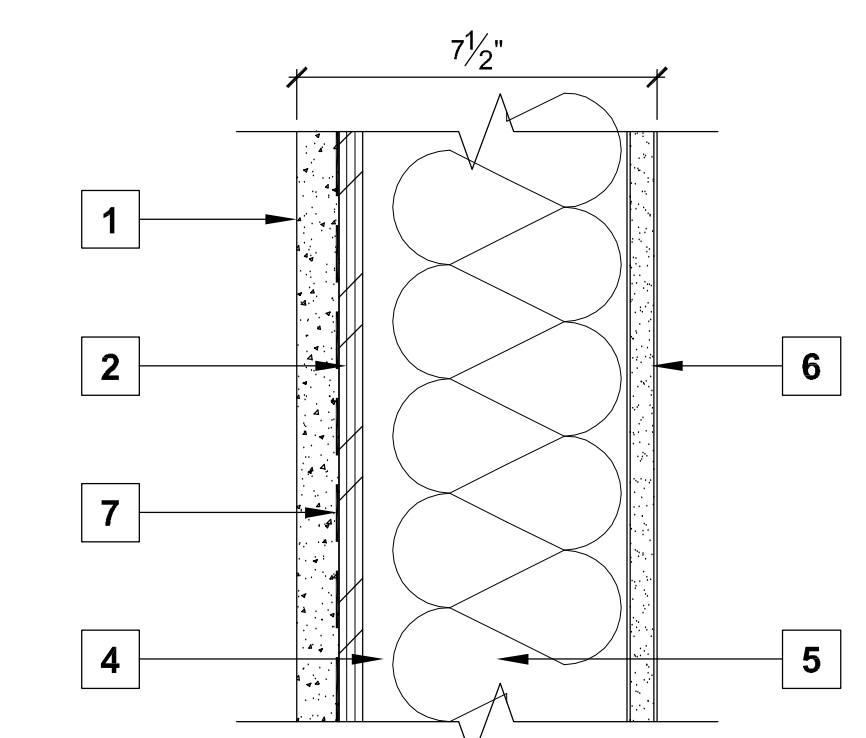
- 3-COAT EXTERIOR PLASTER FINISH.
- 1/2" PLYWOOD SHEATHING. SEE SHEARWALL SCHEDULE FOR NAILING.
- 2x4 WOOD STUDS @ 16" O.C..
- 2x6 WOOD STUDS @ 16" O.C..
- BATT INSULATION.
- 5/8" GYPSUM WALL BOARD.
- MOISTURE BARRIER.



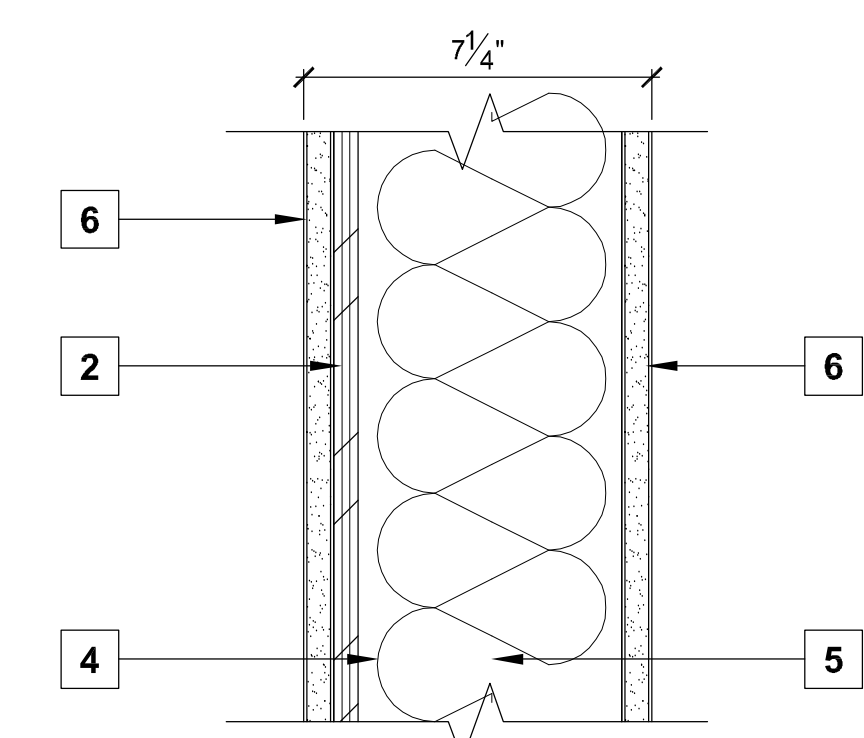
FLOOR PLAN 3,296 s.f.
SCALE: 1/4" = 1'-0"
NORTH



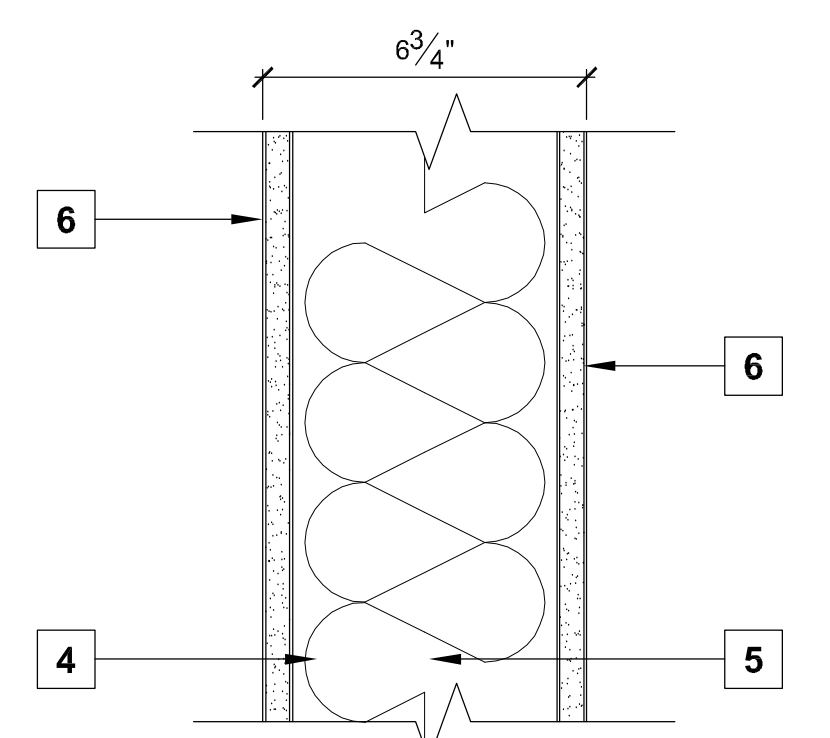
54 WALL TYPE A
NO SCALE



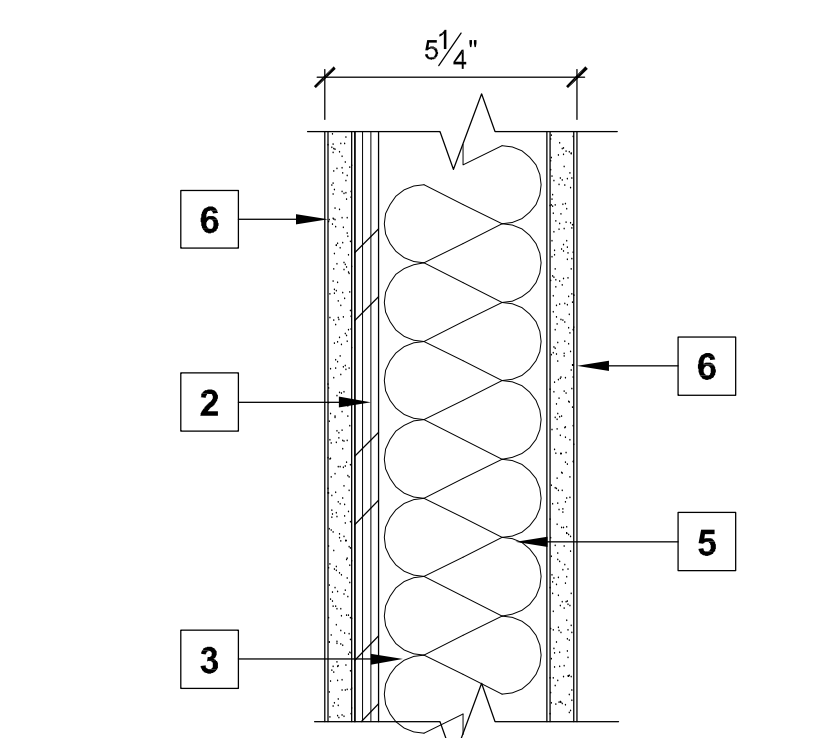
44 WALL TYPE B
NO SCALE



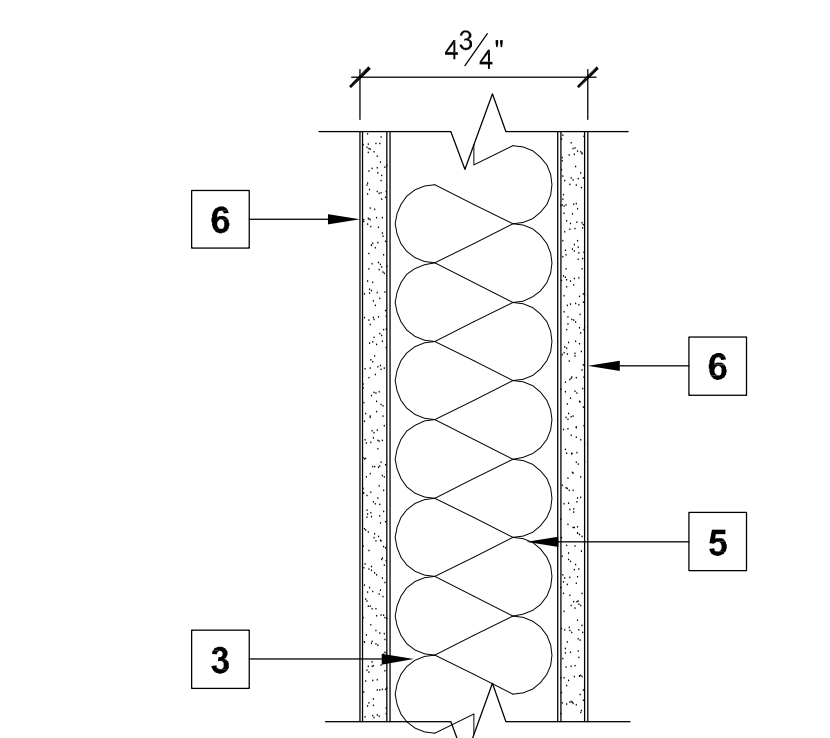
34 WALL TYPE C
NO SCALE



54 WALL TYPE D
NO SCALE



24 WALL TYPE E
NO SCALE



14 WALL TYPE F
NO SCALE

\\John\Rolling Hills Acts 0708\Drawings\0 - Drawing Sheets\Architectural\A2.3 - Common Building Floor Plan.dwg, 8/13/2010, 1:51:22 PM, P09995