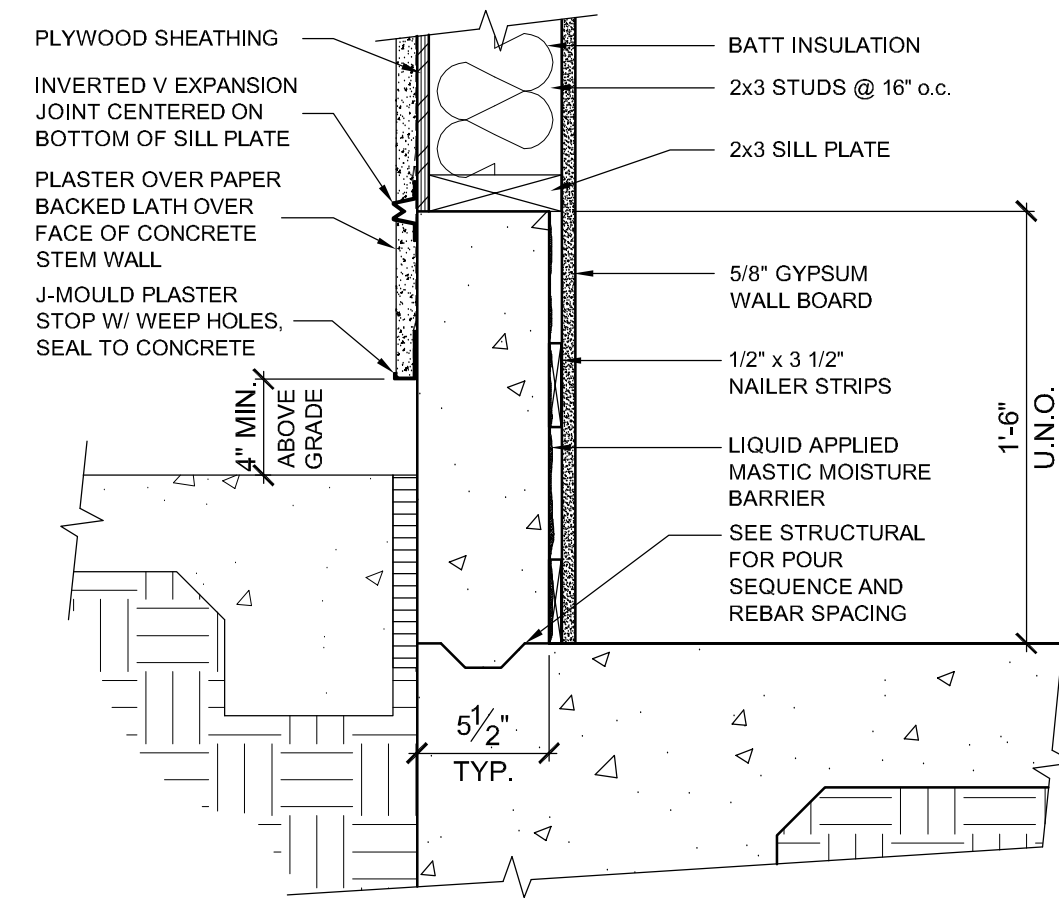
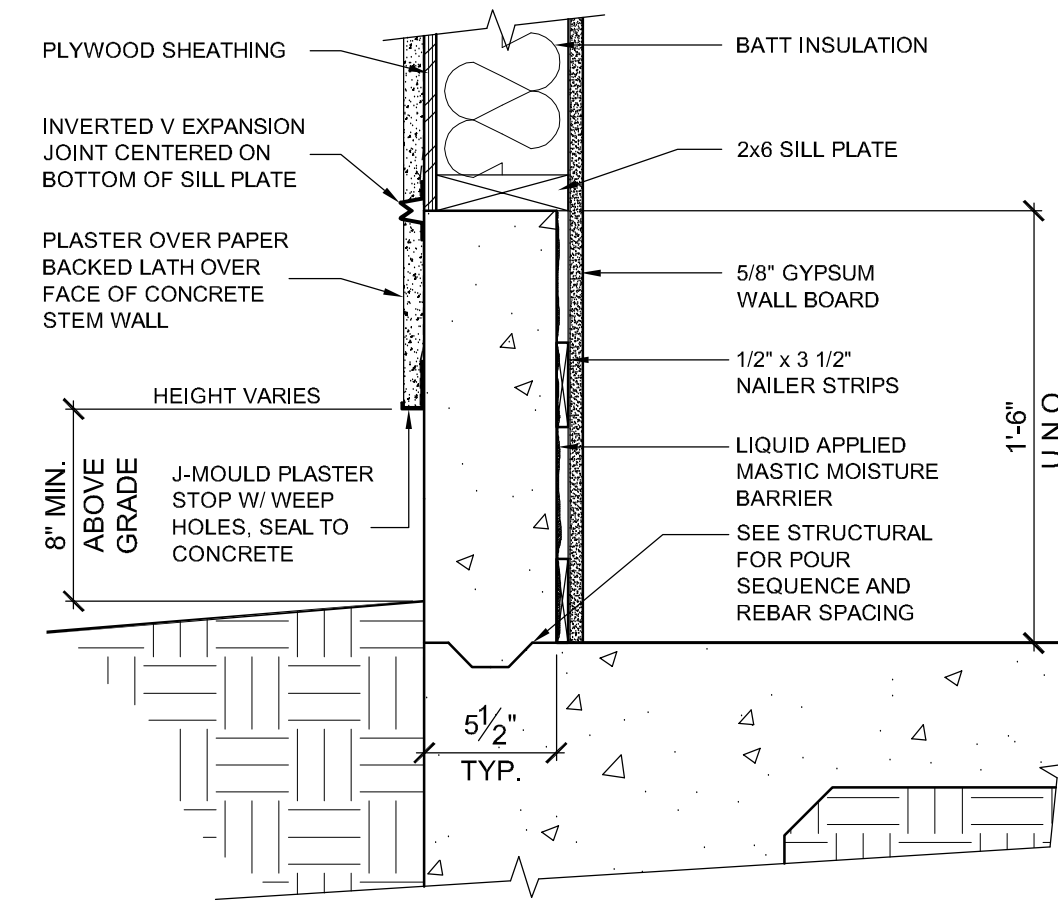


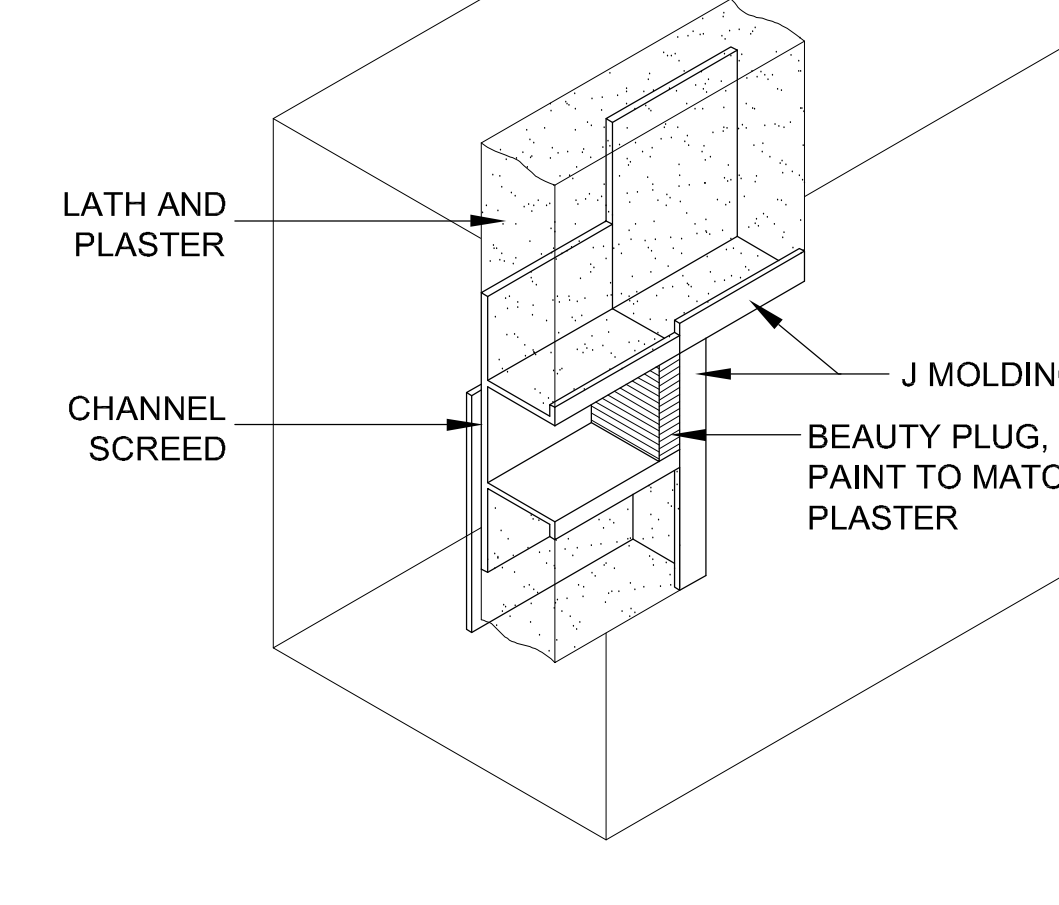
\\John\Rolling Hills Acts 0706\Drawings\0 - Drawing Sheets\Architectural\A9.1 - Details.dwg, 9/24/2010 4:54:59 PM, P05995.pcl



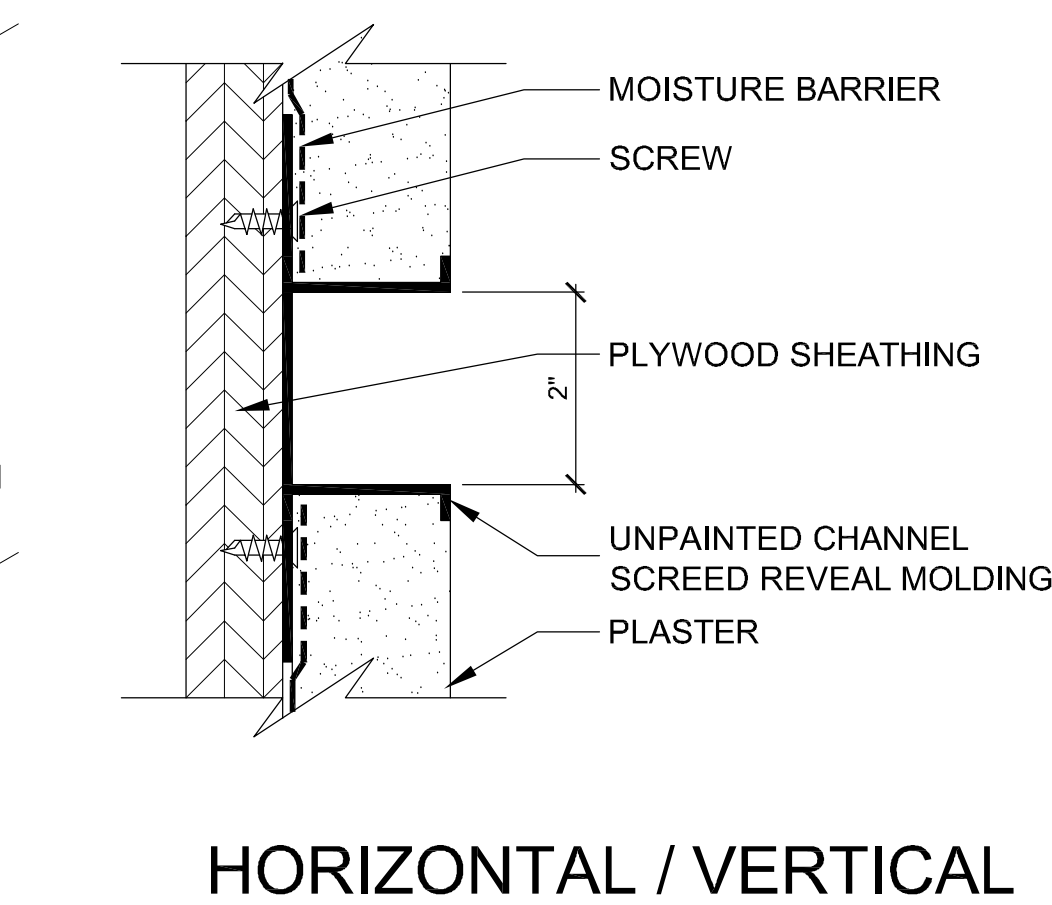
51 STEMWALL AT SIDEWALK
SCALE: 1 1/2" = 1'-0"



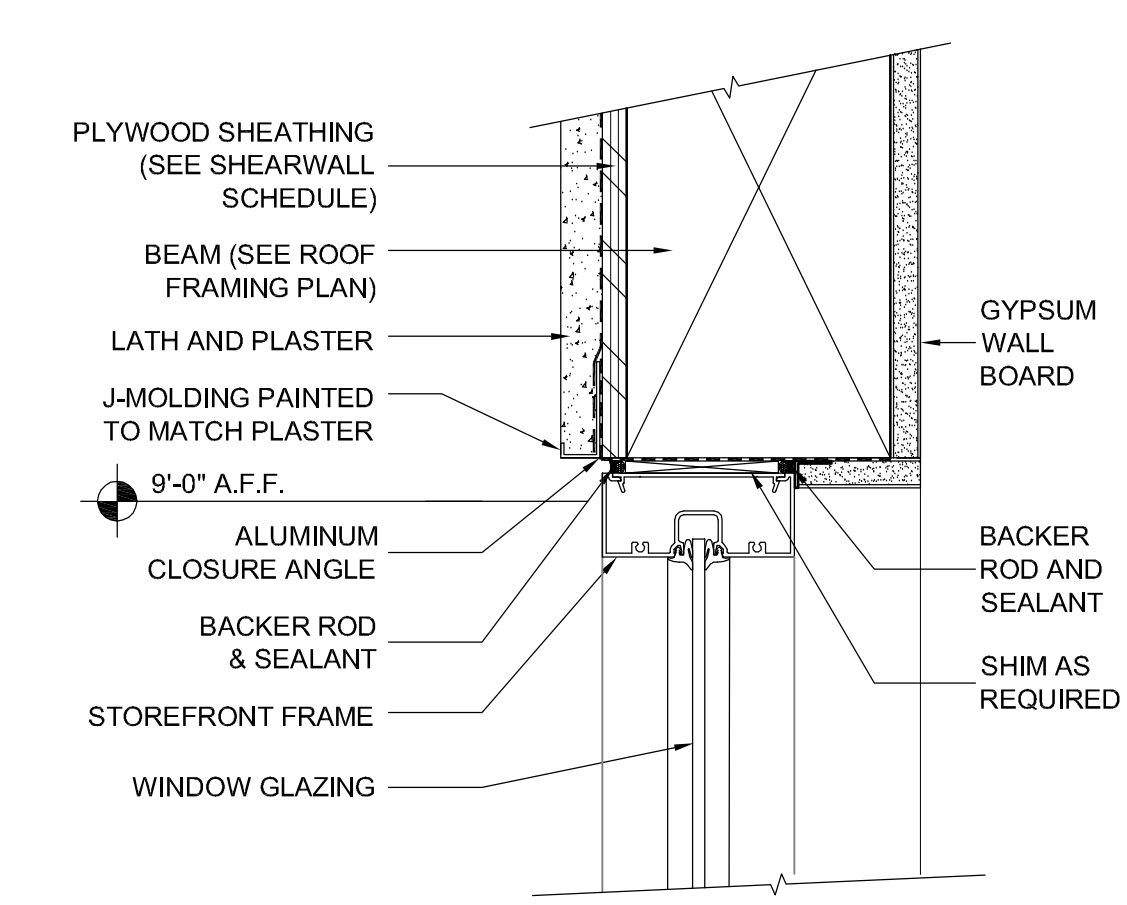
41 STEMWALL AT GRADE
SCALE: 1 1/2" = 1'-0"



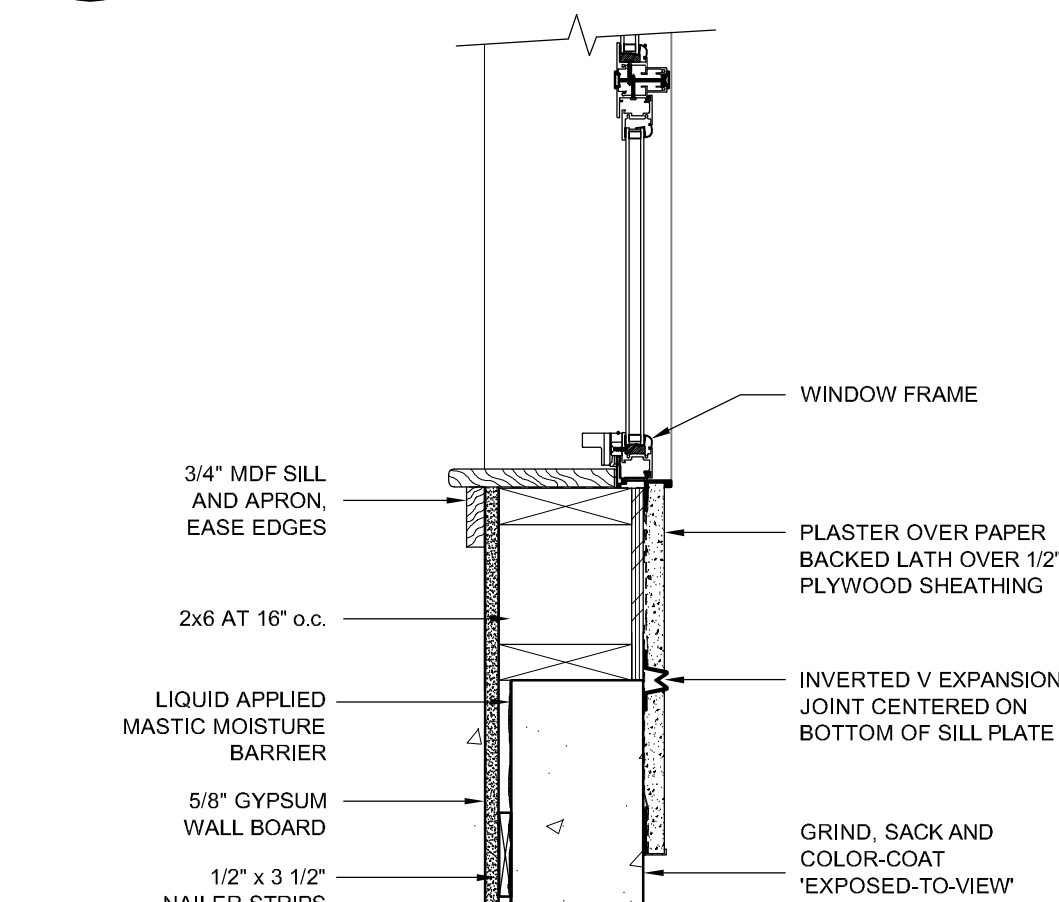
31 REVEAL AT STOREFRONT
6" = 1'-0"



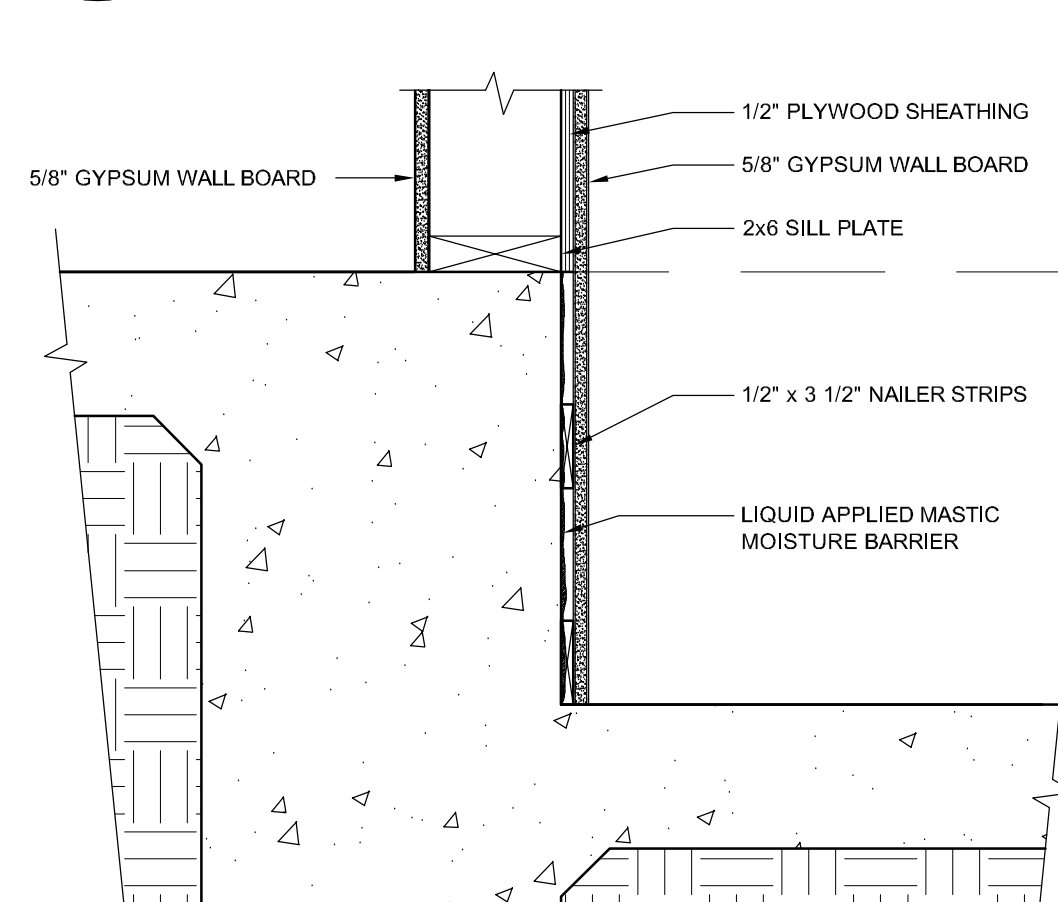
21 HORIZONTAL / VERTICAL WALL REVEAL
1:1



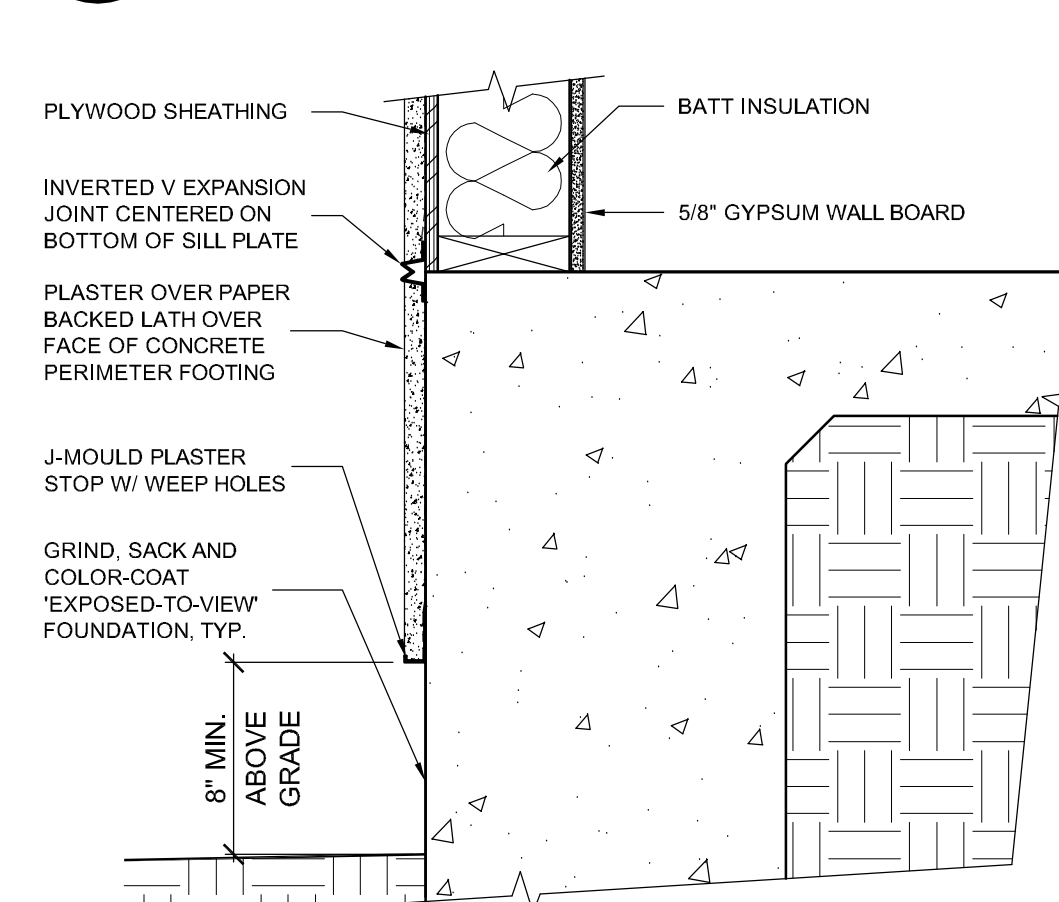
11 STOREFRONT HEAD
3" = 1'-0"



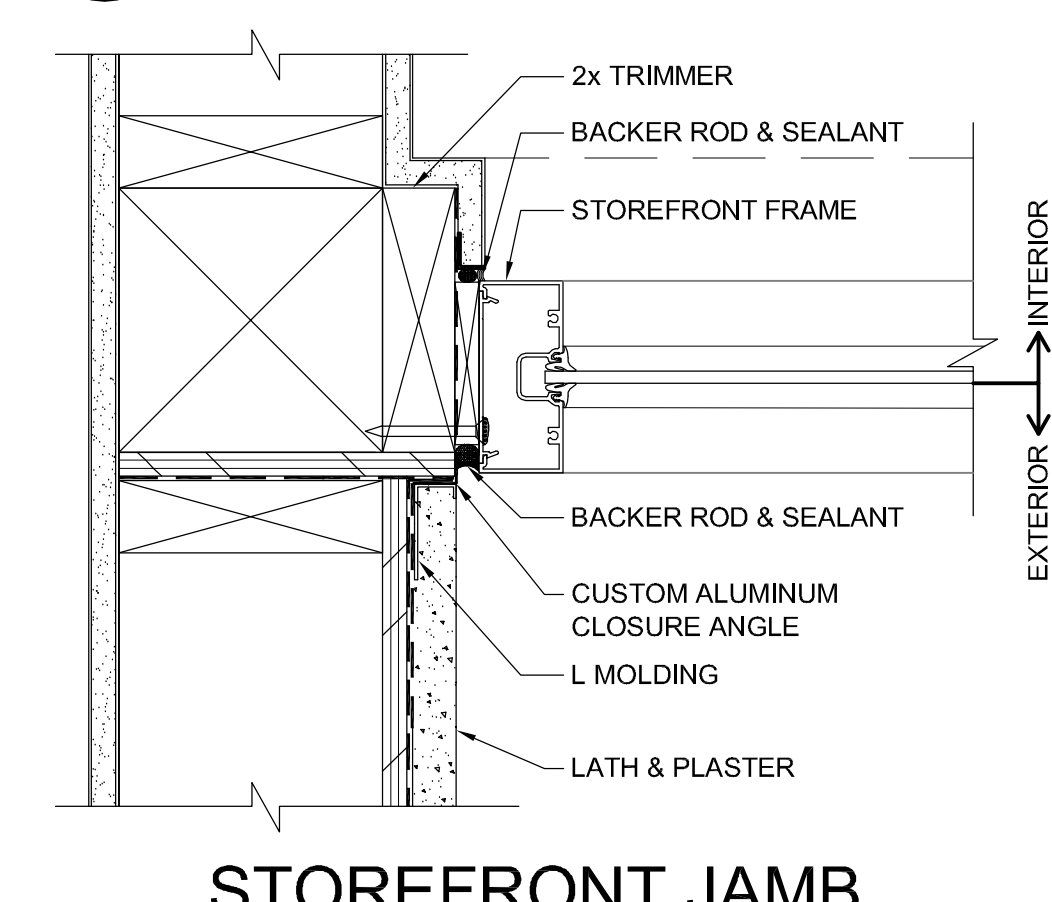
52 STEMWALL AT WINDOW
SCALE: 1 1/2" = 1'-0"



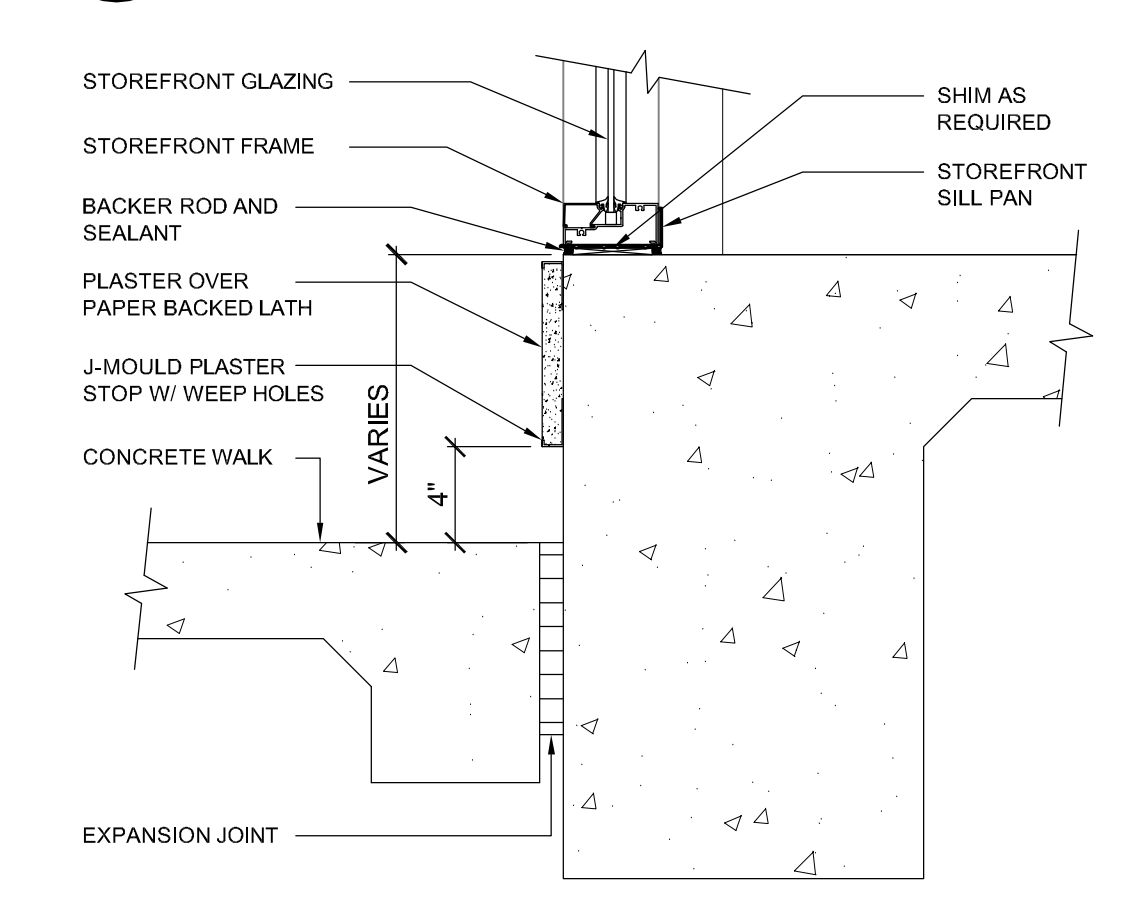
42 DRYWALL AT CONCRETE
SCALE: 1 1/2" = 1'-0"



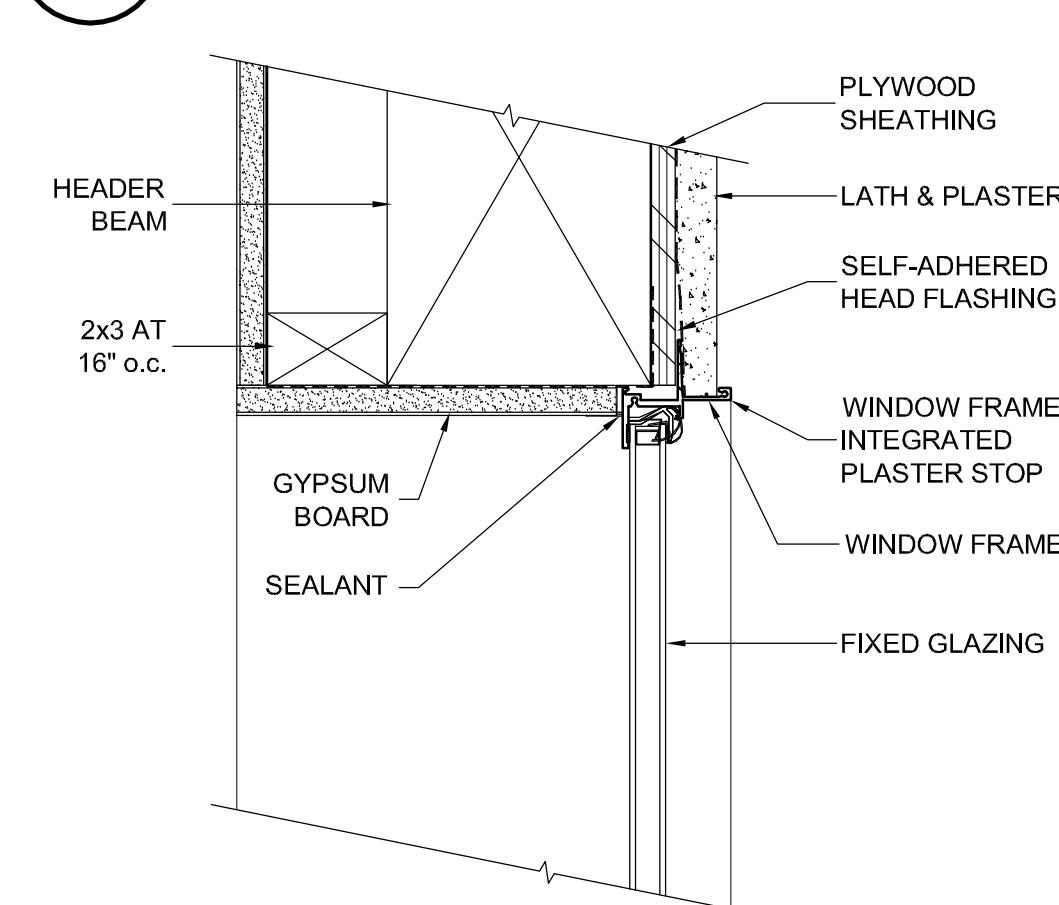
32 PLASTER AT CONCRETE
SCALE: 1 1/2" = 1'-0"



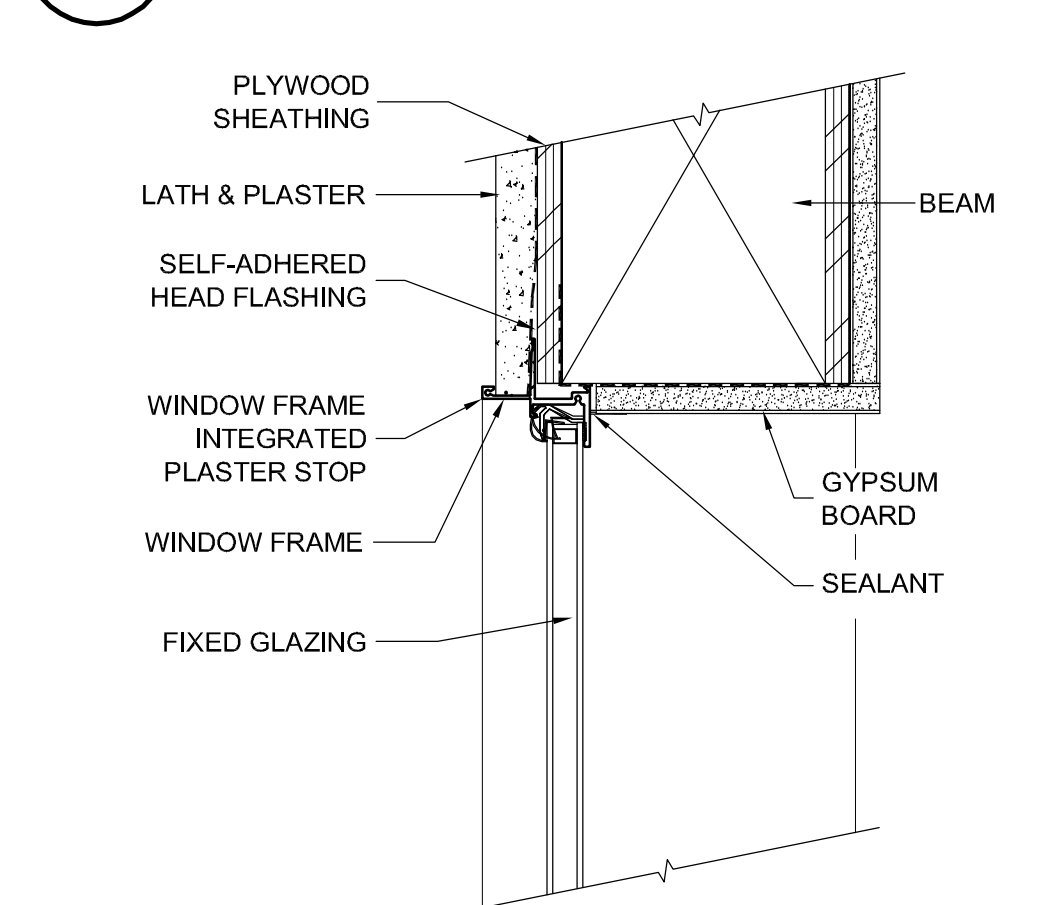
22 STOREFRONT JAMB AT MAIN ENTRY
3" = 1'-0"



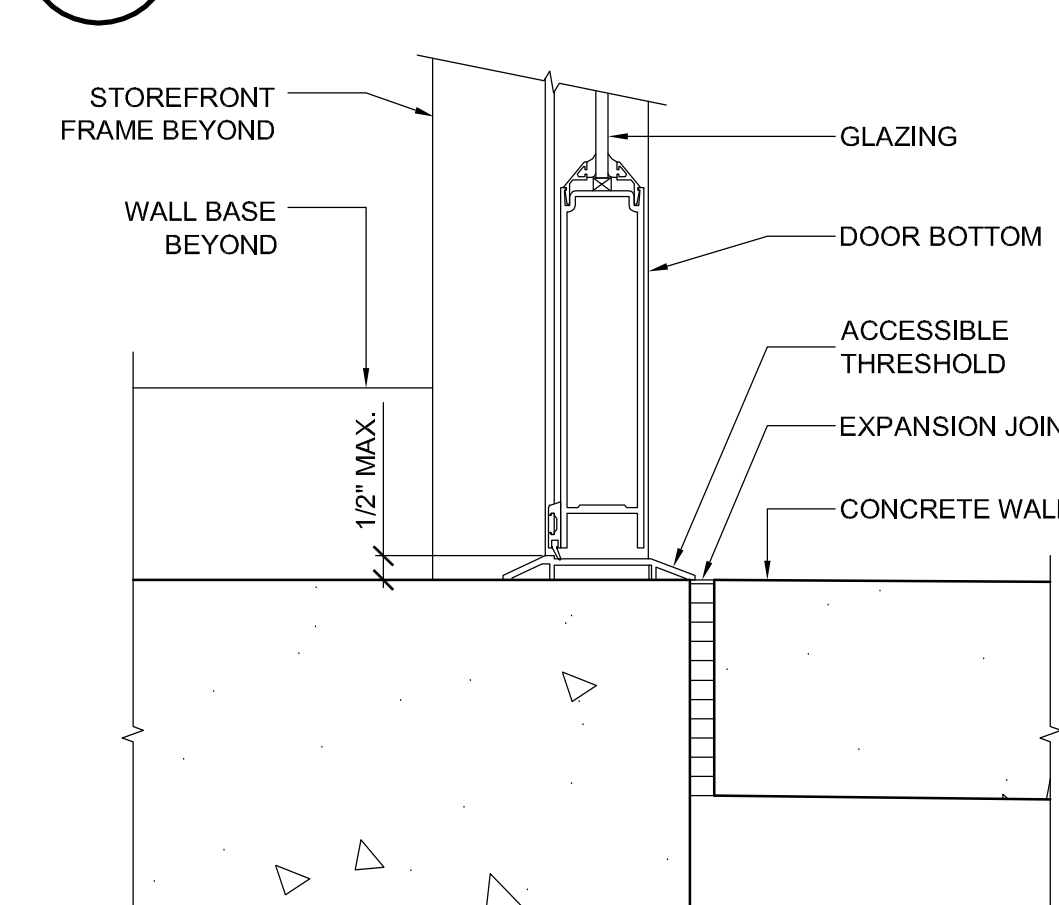
12 STOREFRONT SILL
SCALE: 1 1/2" = 1'-0"



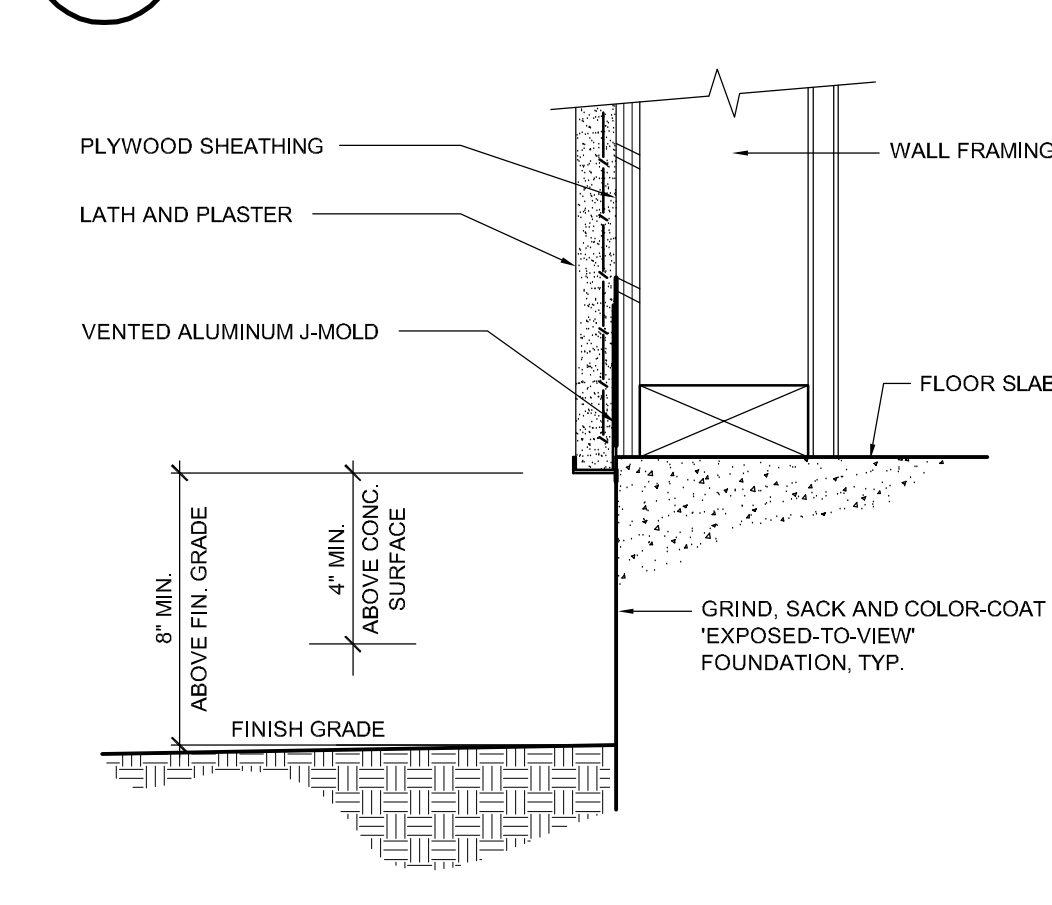
53 WINDOW HEAD
3" = 1'-0"



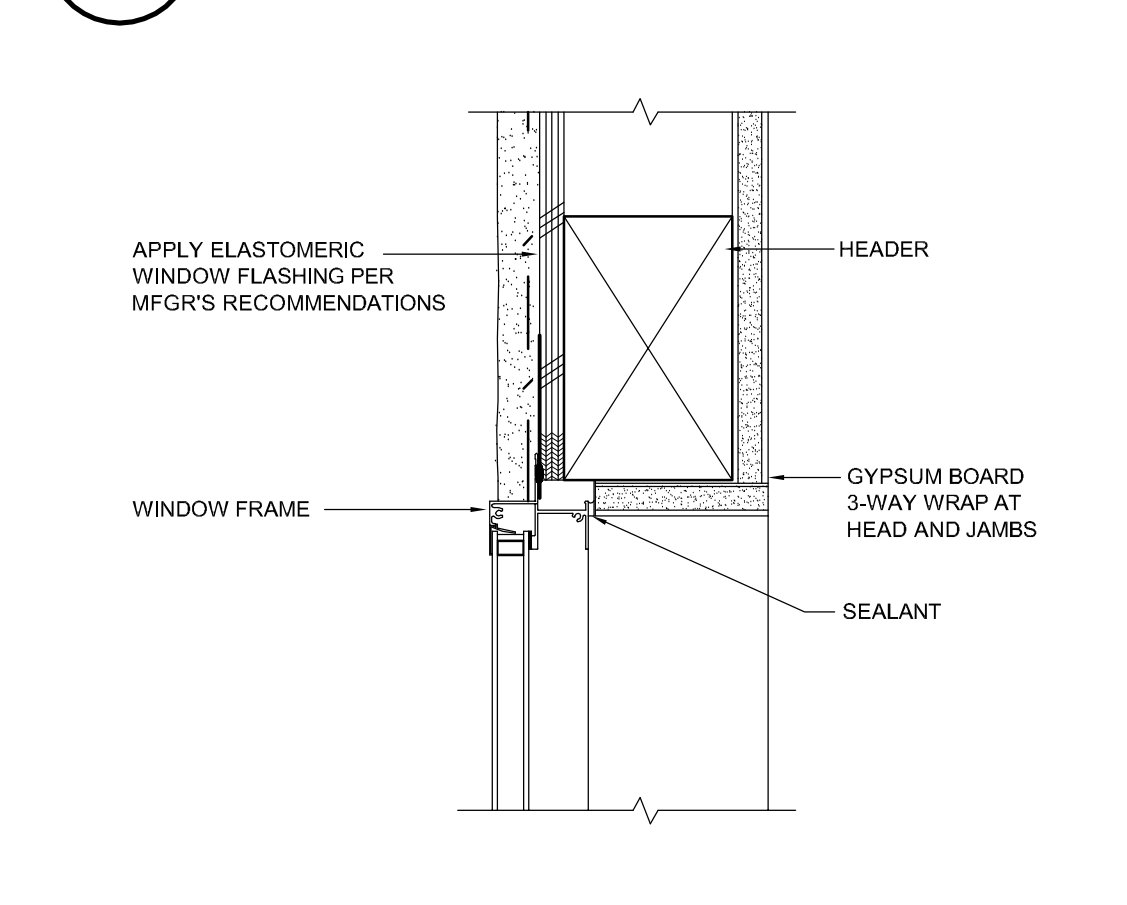
43 FIXED WINDOW HEAD
3" = 1'-0"



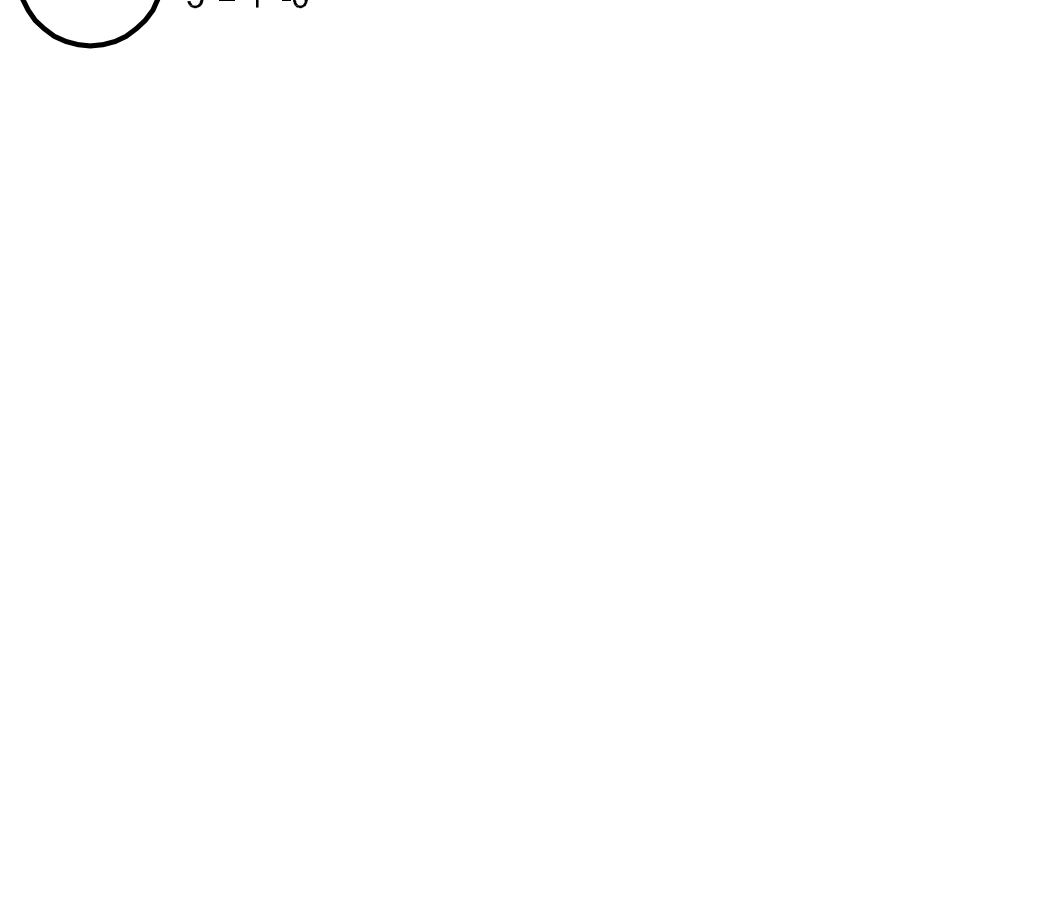
33 STOREFRONT THRESHOLD
3" = 1'-0"



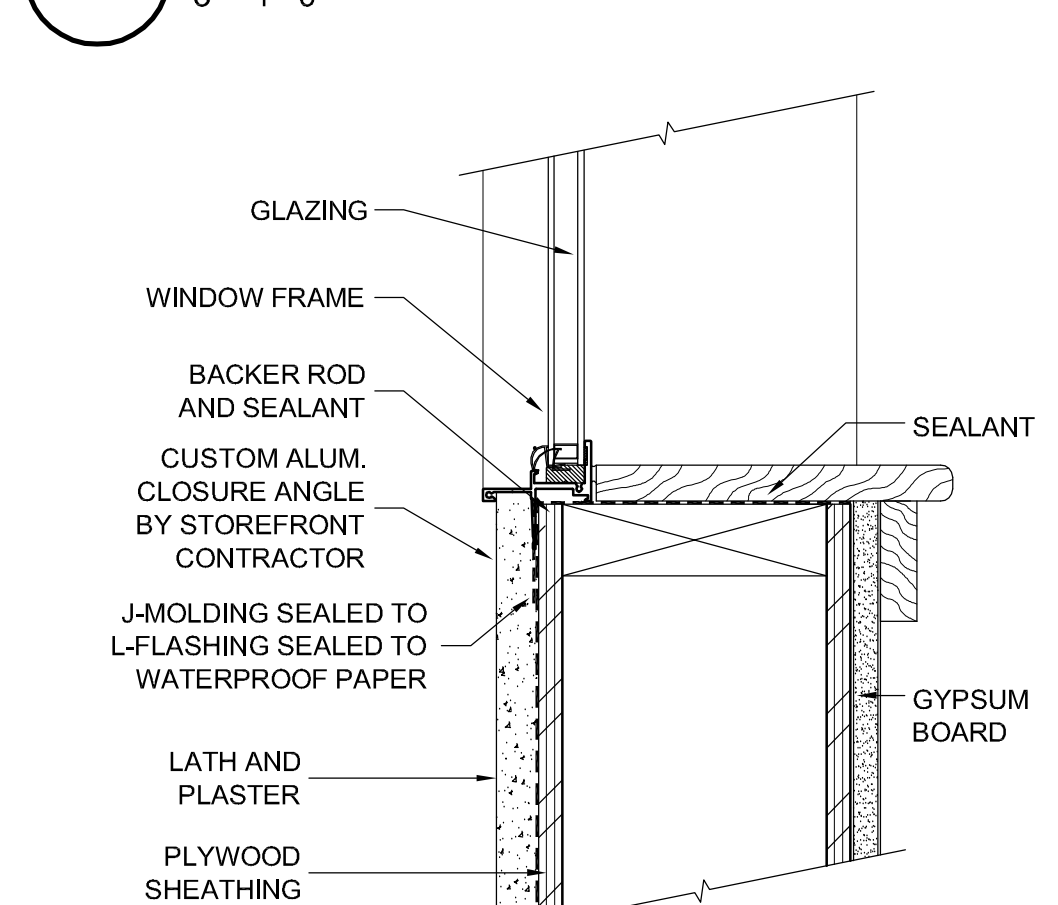
23 TYPICAL WEEP SCREED
3" = 1'-0"



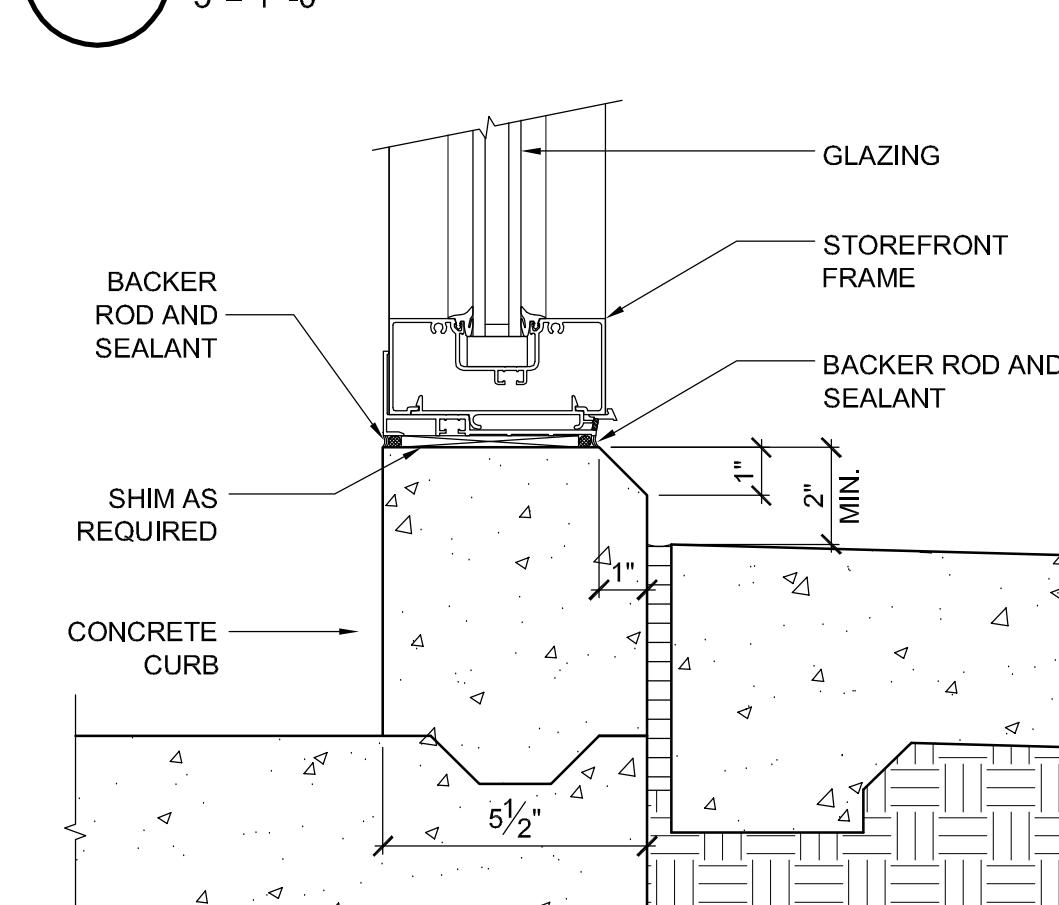
13 TYPICAL WINDOW HEAD
3" = 1'-0" D085045A



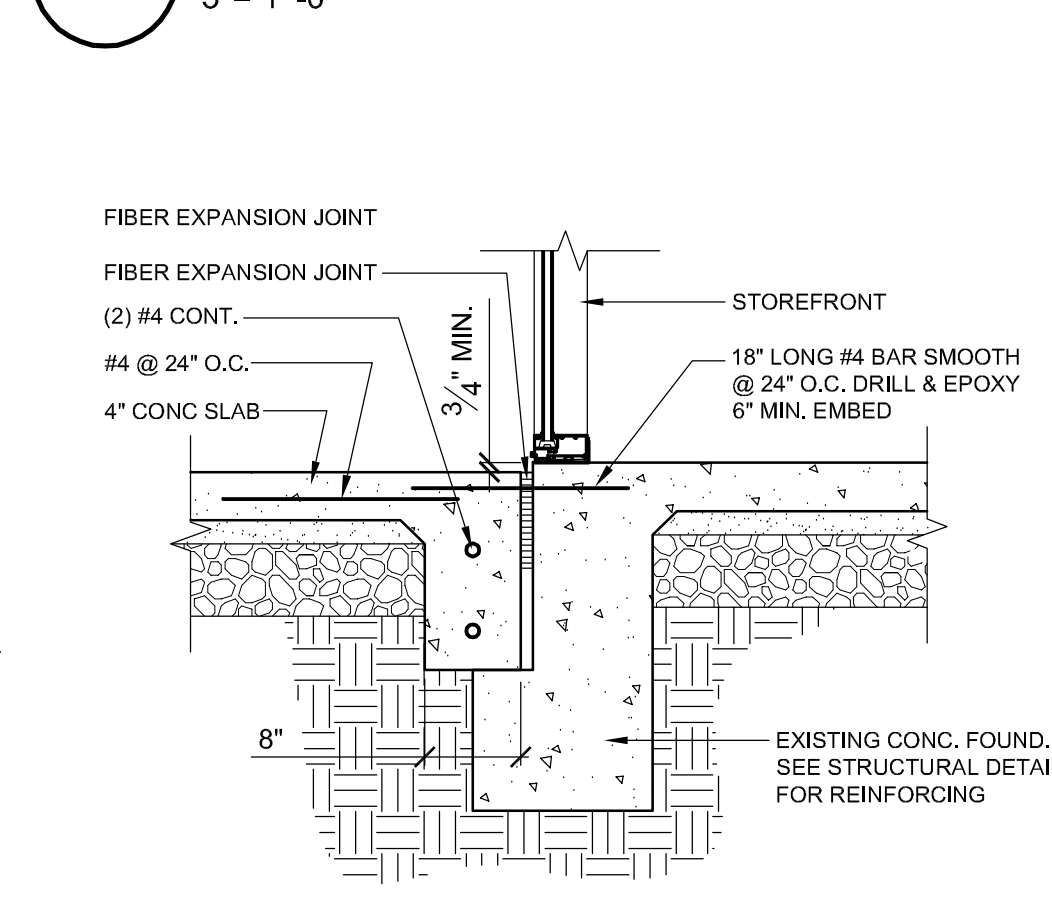
54 FIXED WINDOW SILL
3" = 1'-0"



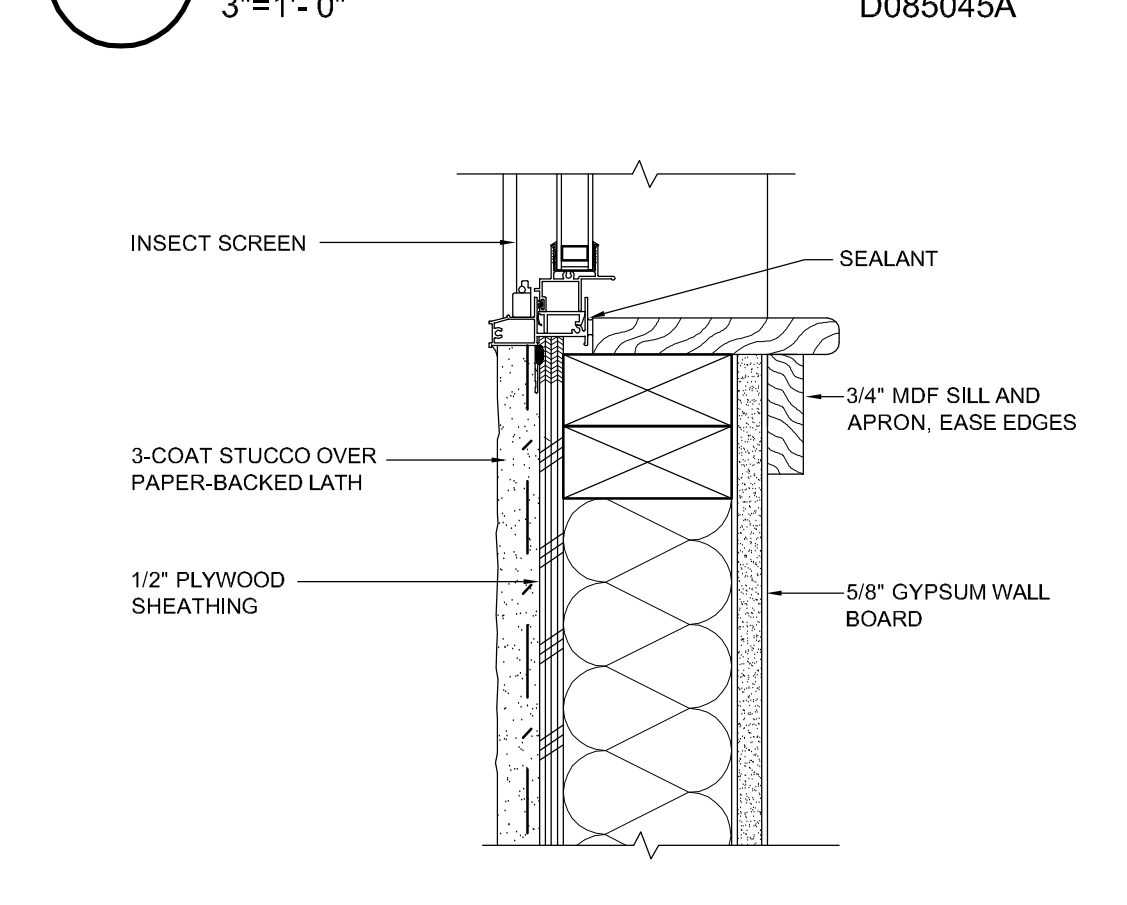
44 FIXED WINDOW SILL
3" = 1'-0"



34 STOREFRONT SILL
3" = 1'-0"



24 FOOTING AT WALK
3/4" = 1'-0" D0330XXA



14 TYPICAL WINDOW SILL
3" = 1'-0" D085045A

PROJECT
ROLLING HILLS APARTMENTS

NEW COMMON BUILDING

LAS TABLAS ROAD
TEMPLETON, CA

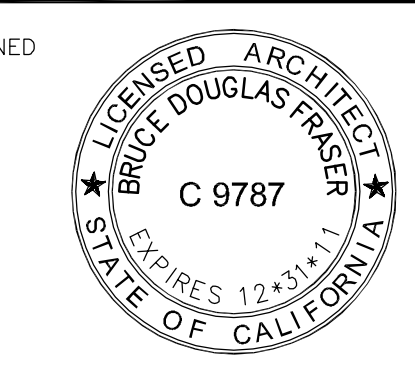
CLIENT JOB # ARCHITECT JOB #
0708B

FRASER SEIPLE ARCHITECTS

PROJECT MANAGER BDF

DRAWN BY DDL

DATES DESIGN DEVELOPMENT 4/15/10
FIRST SUBMITTAL 6/02/10
PLAN CHECK 1 8/16/10

SIGNED


The use of these plans and specifications shall be restricted to the original site for which they were prepared and publication thereof is expressly limited to such use. Reproduction or publication by any method, in whole or in part, is prohibited. Title to these plans and specifications remain with the architect without prejudice. Visual contact with these plans and specifications shall constitute prima facie evidence of the acceptance of these restrictions.

Written dimensions on these drawings shall have precedence over scaled dimensions. Contractors shall verify and be responsible for all dimensions and existing conditions on the job and shall report any discrepancies to the architect for resolution prior to commencing work.

SHEET TITLE
DETAILS

SHEET #
A9.1