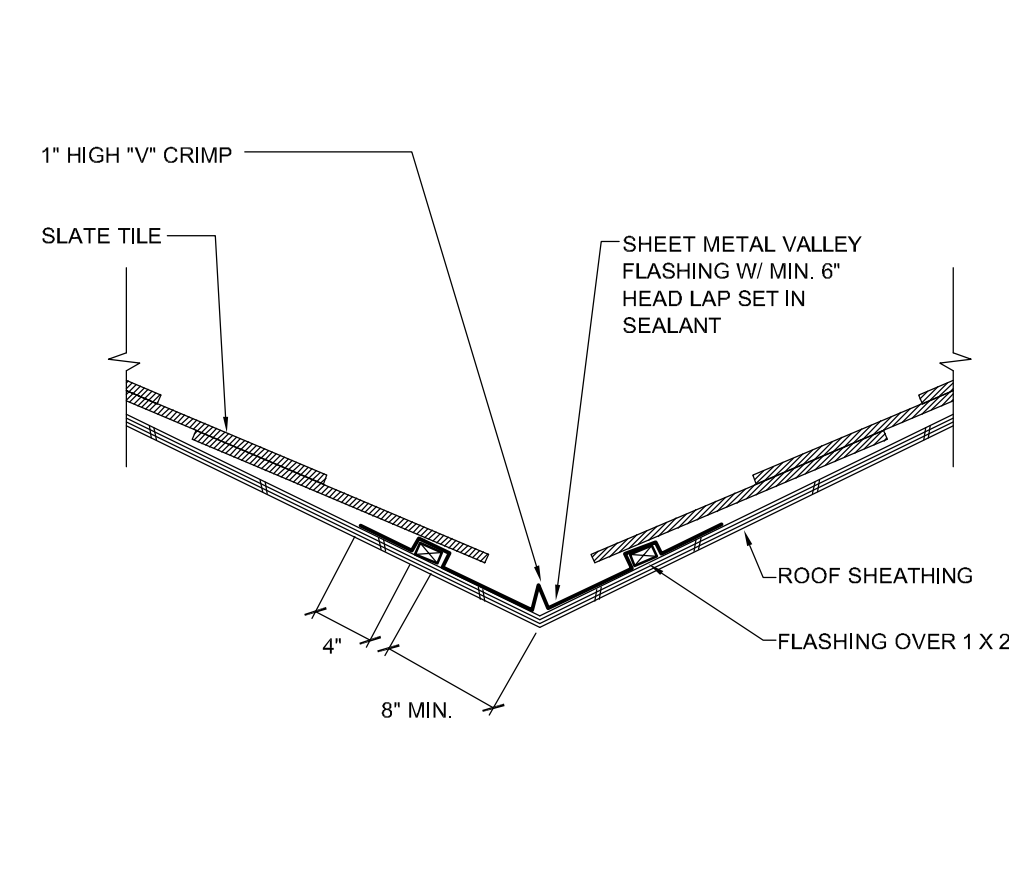
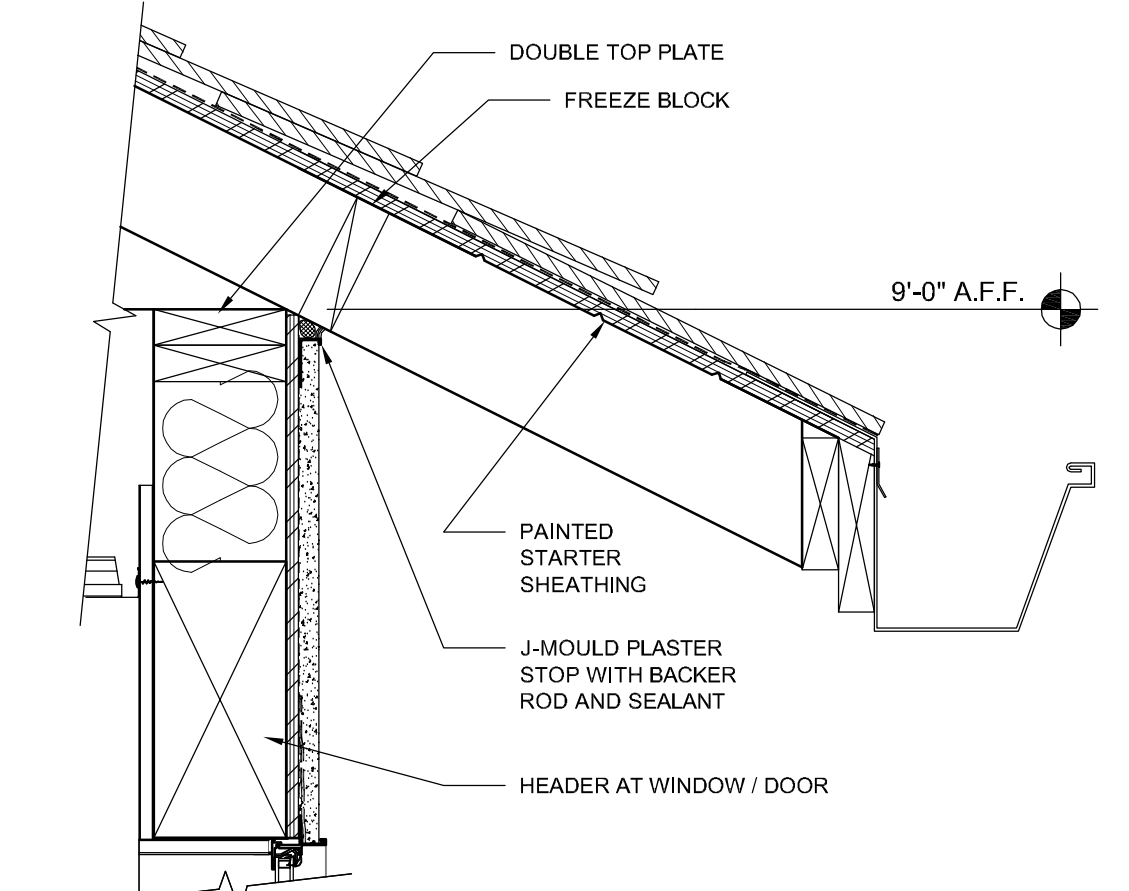


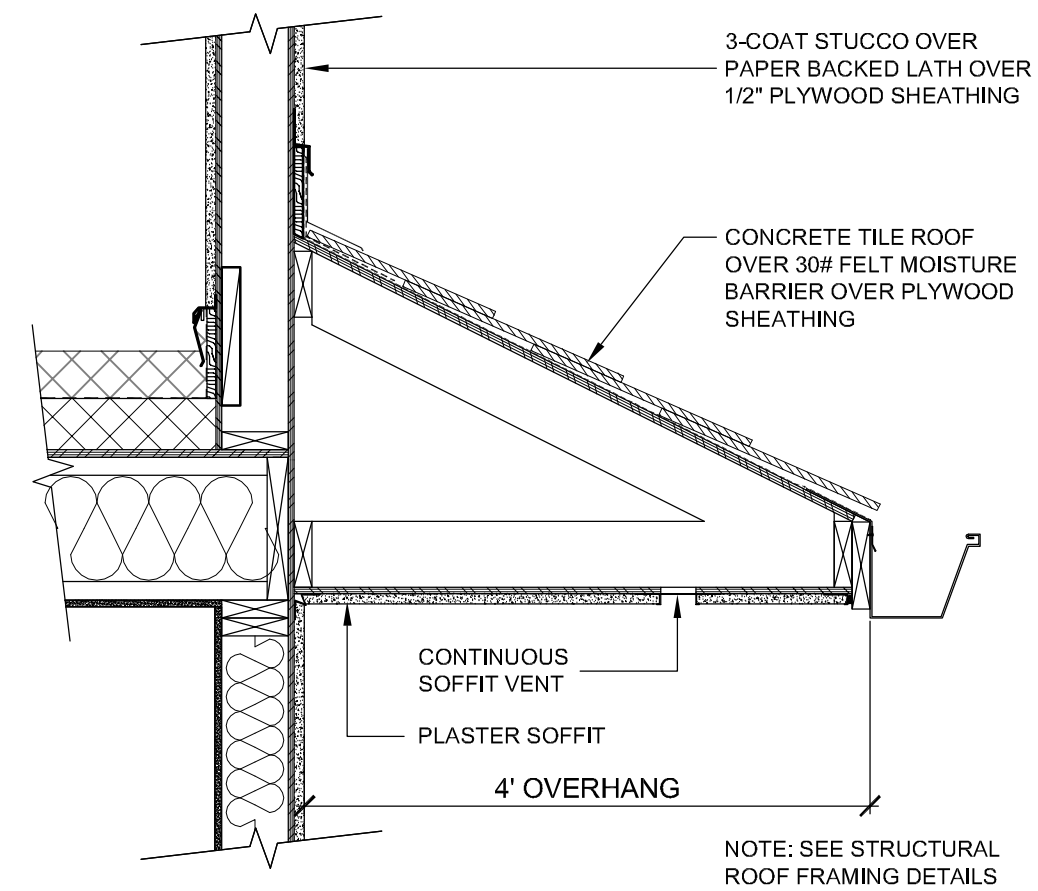
31 SINGLE-PLY ROOF EDGE
3"= 1'-0" D096008A



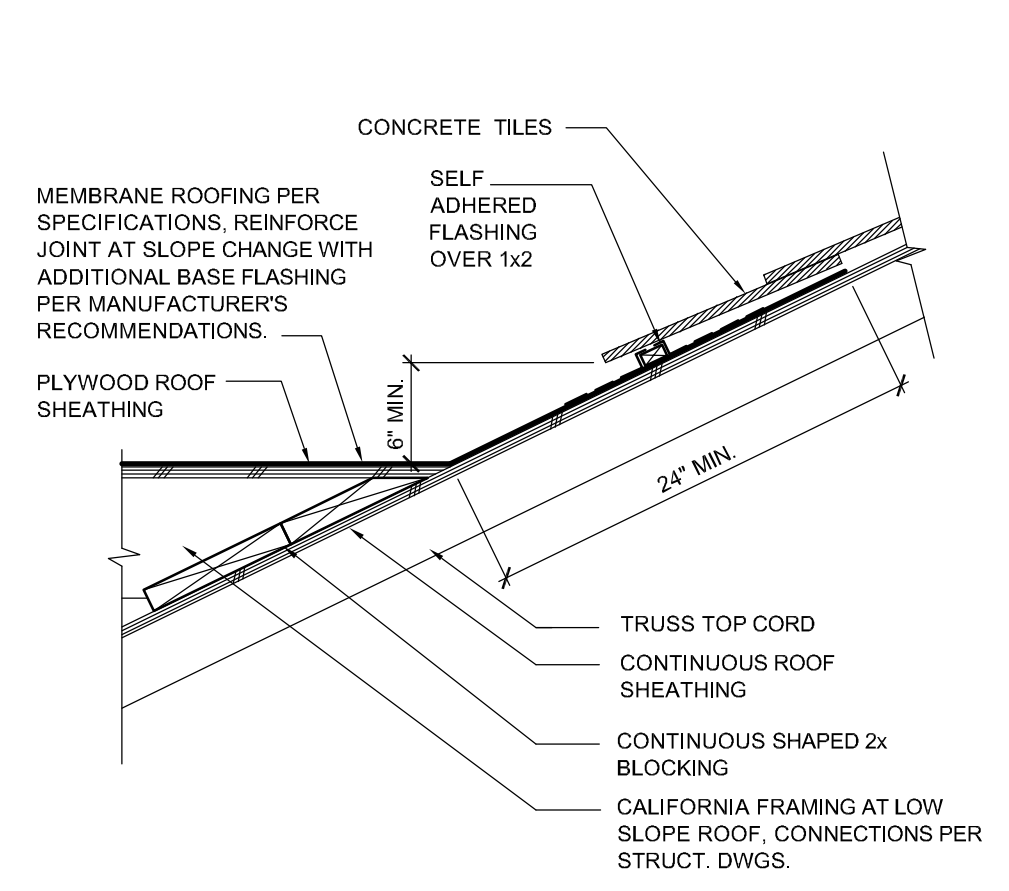
21 VALLEY FLASHINGS
1"=1'-0" D073005B



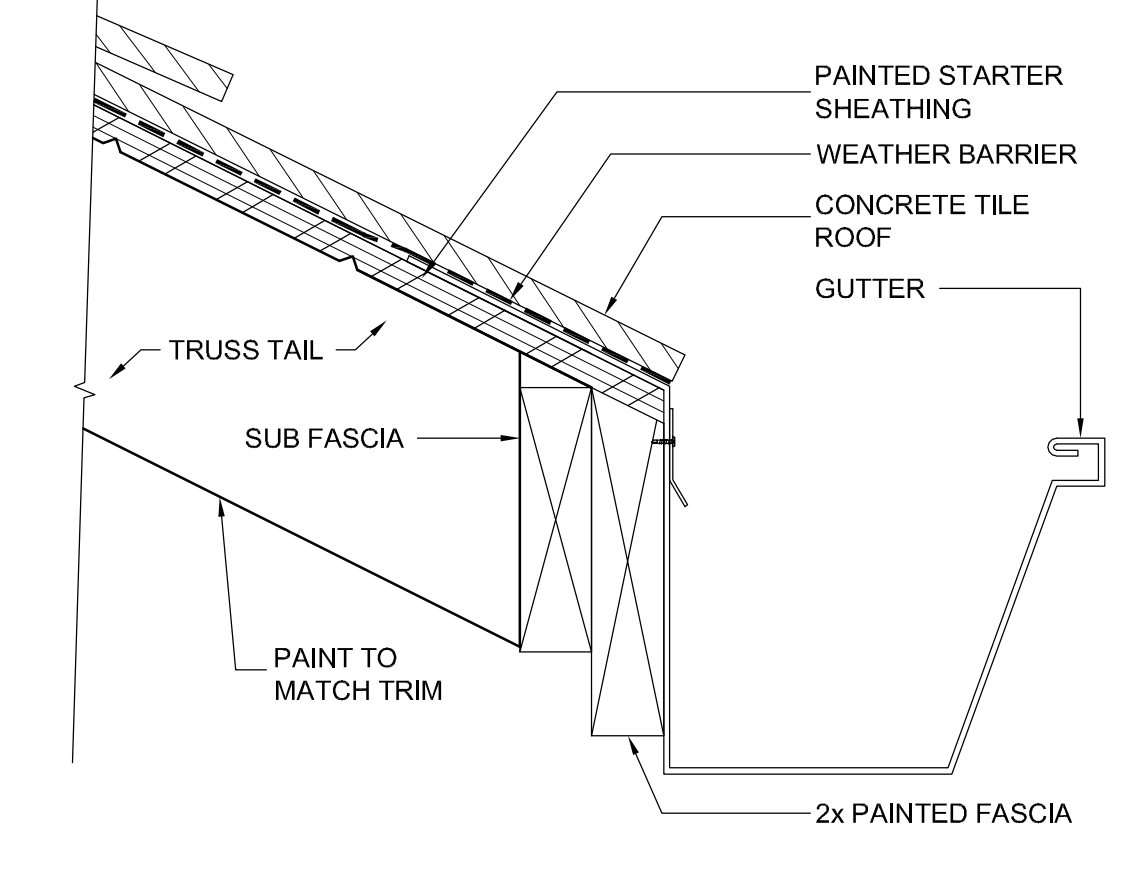
11 ROOF EAVE (TYP.)
1 1/2"= 1'-0" D073019A



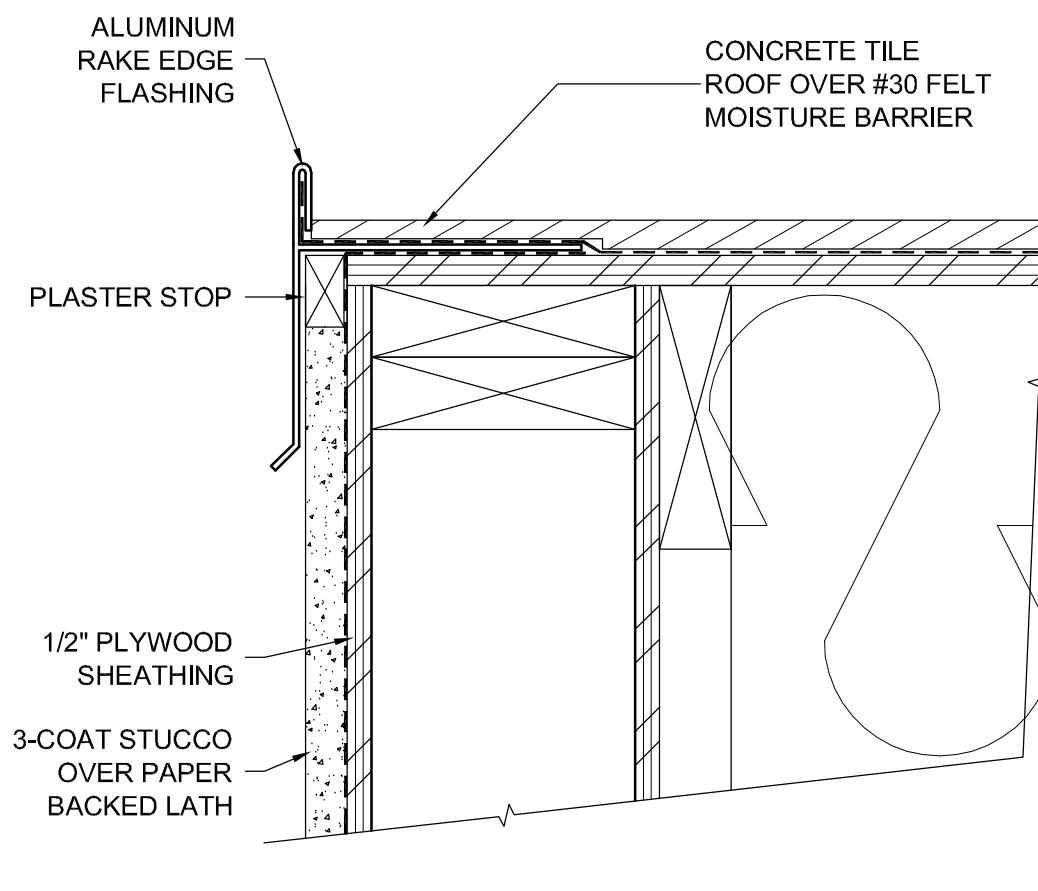
42 PLASTER SOFFIT
3/4"= 1'-0"



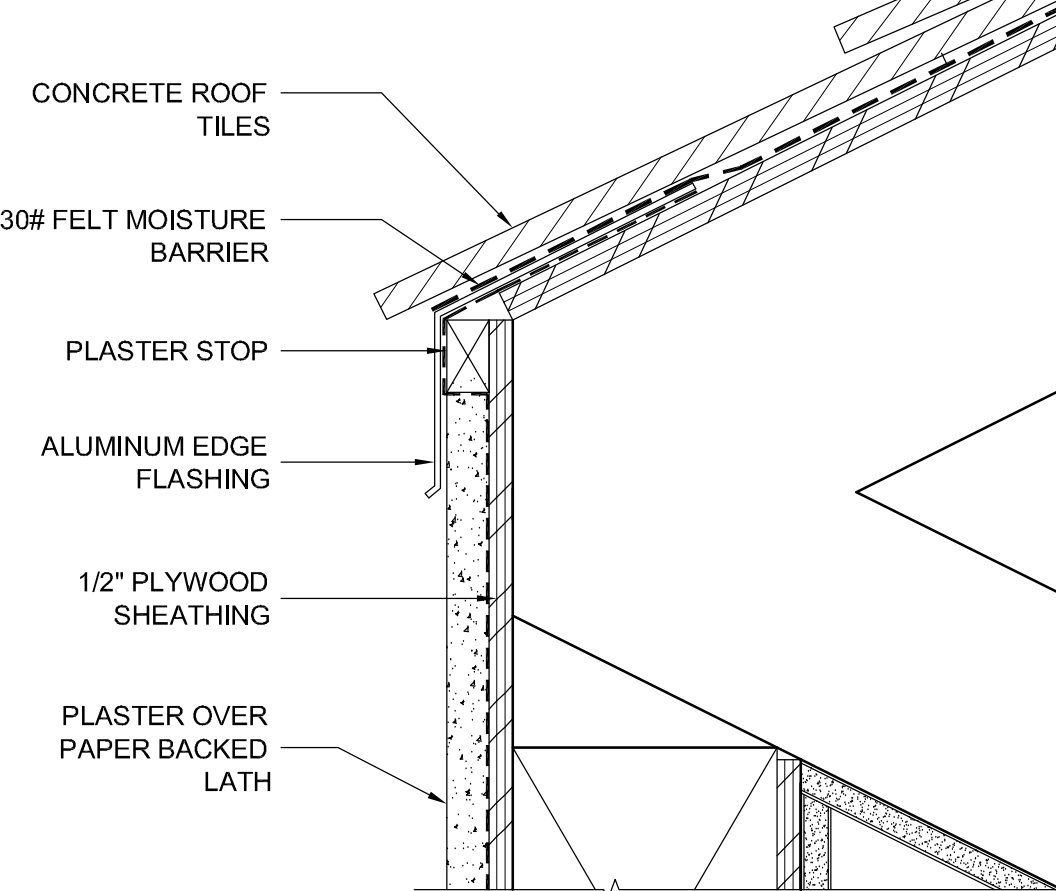
22 ROOF TRANSITION
1"=1'-0" D073023A



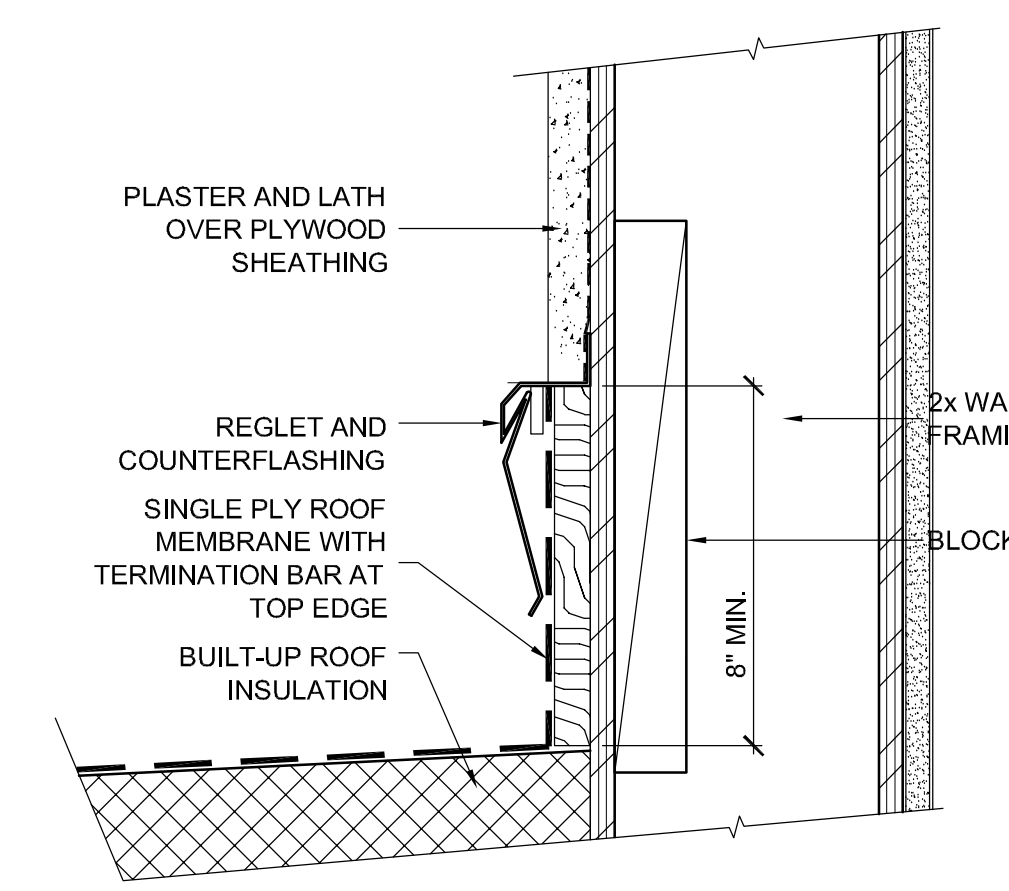
12 TYPICAL FASCIA / GUTTER
3"= 1'-0"



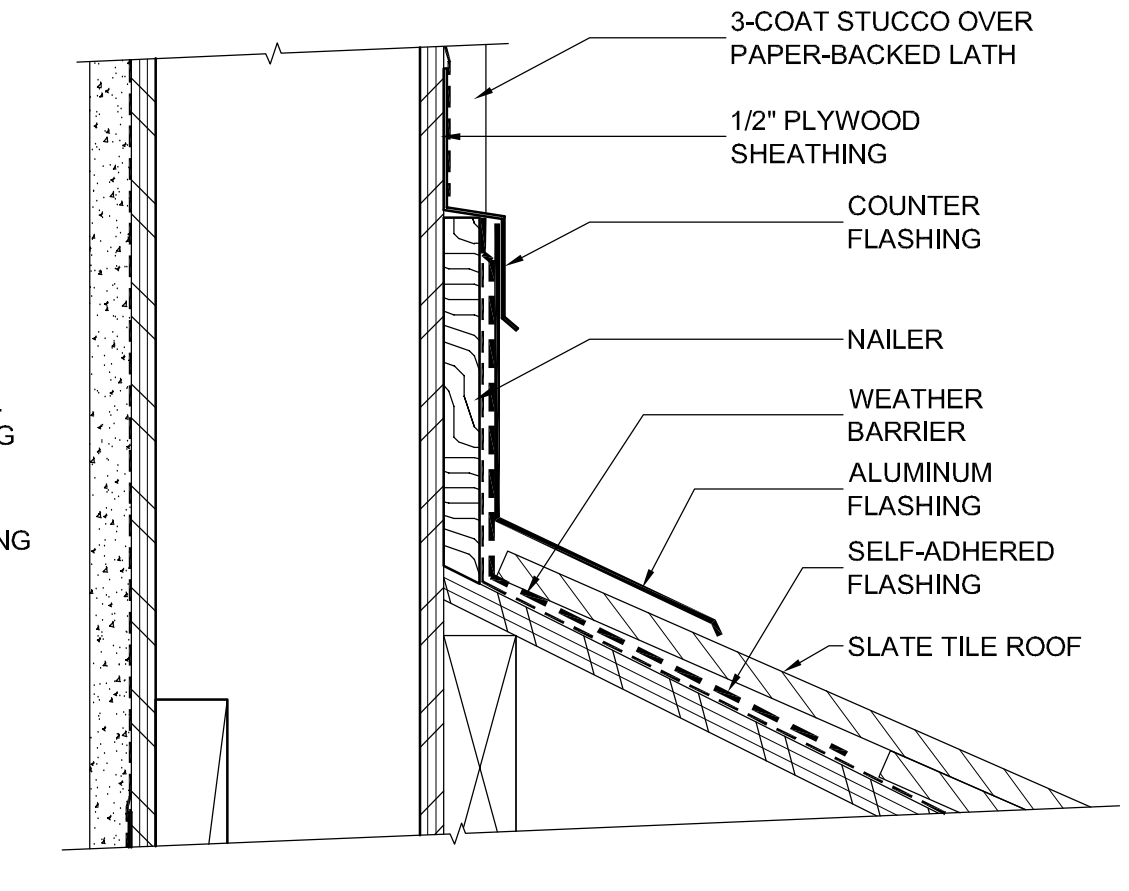
43 ROOF RAKE EDGE
3"= 1'-0"



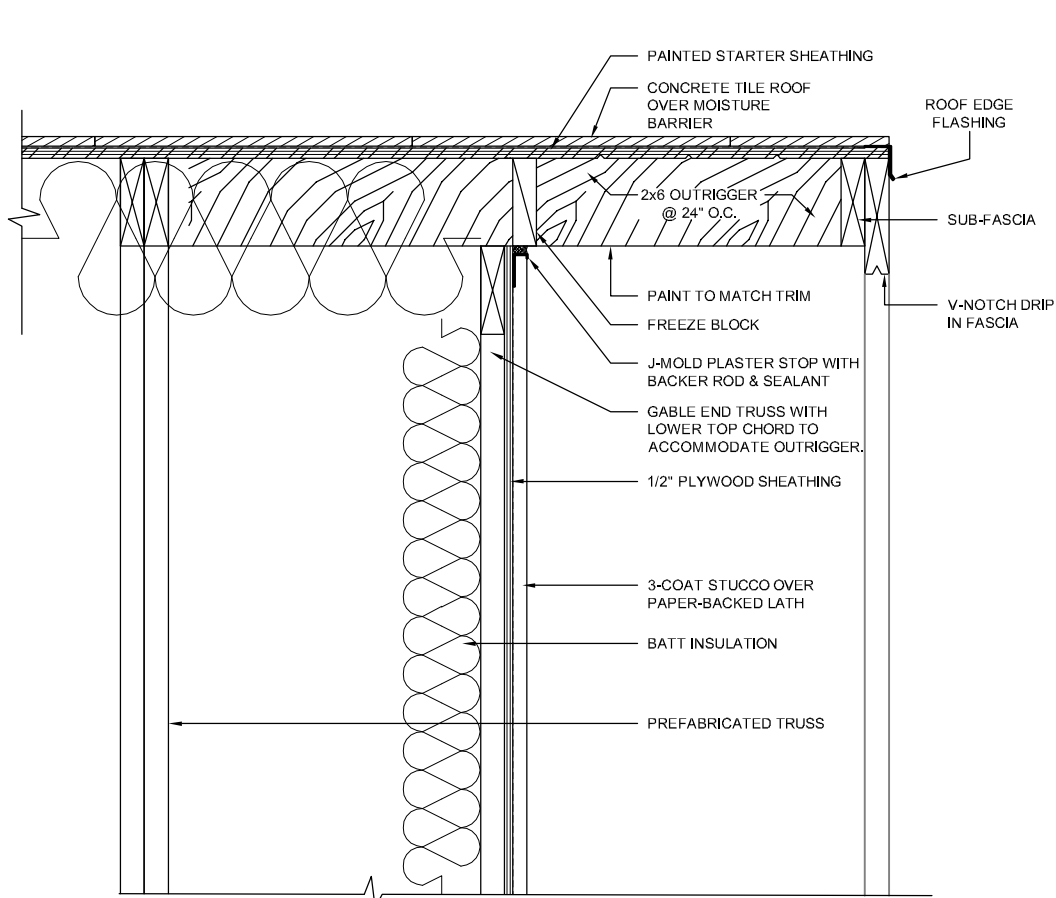
33 ROOF EDGE w/out GUTTER
3"= 1'-0"



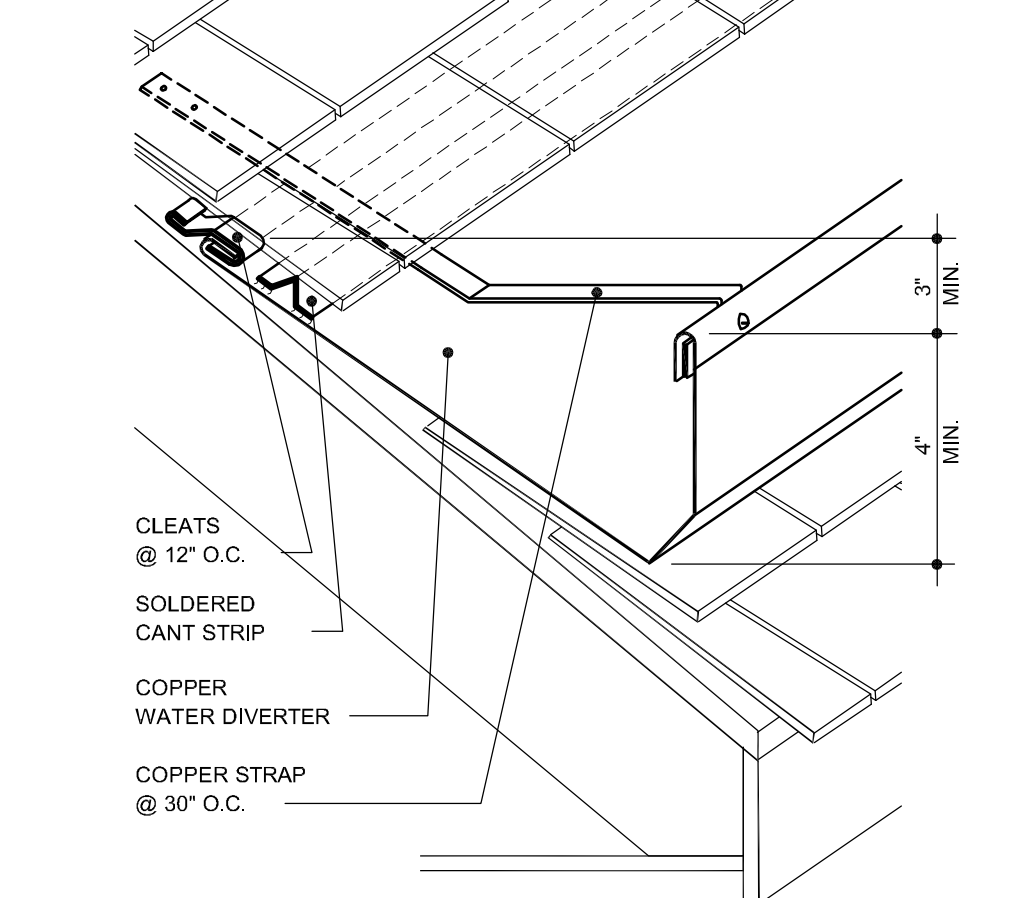
23 ROOF WELL HEAD WALL
3"= 1'-0"



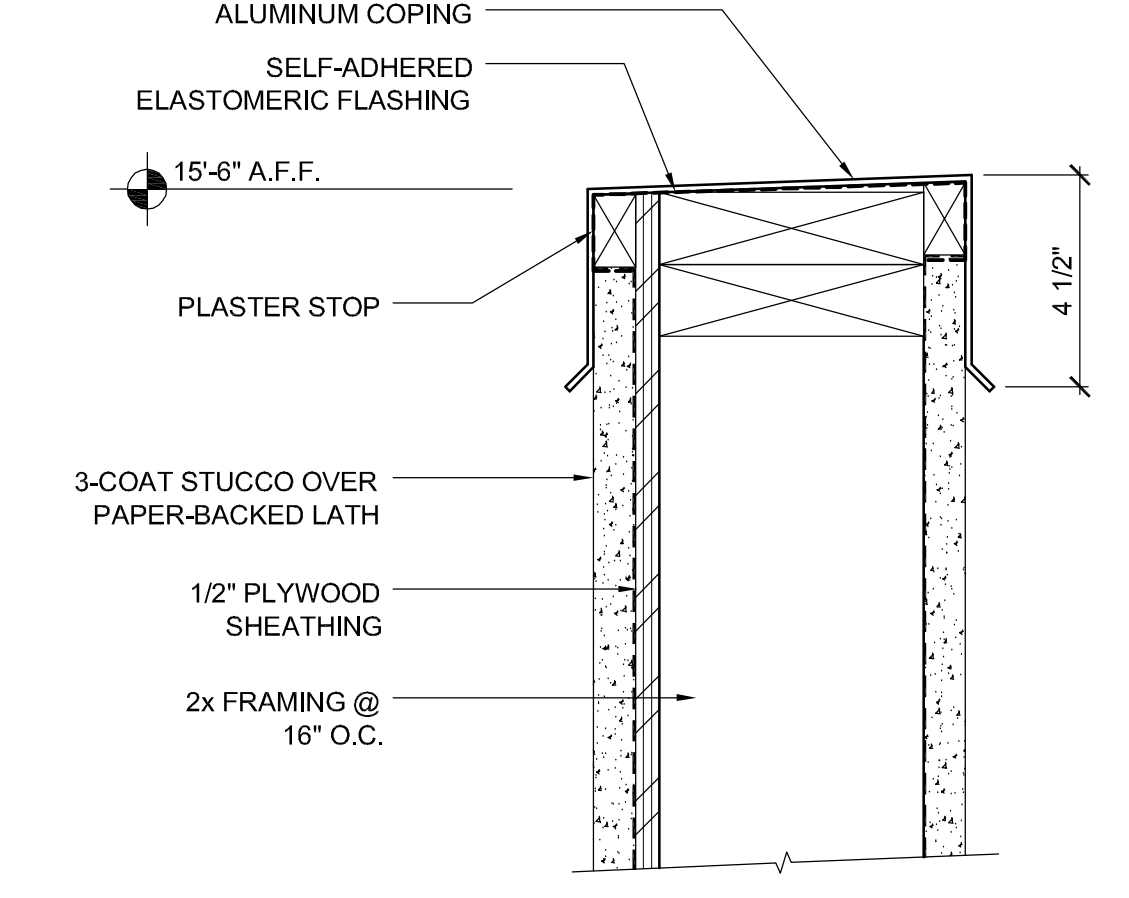
13 ROOF AT HEAD WALL
3"= 1'-0"



34 GABLE END OVERHANG
1"=1'-0"



24 WATER DIVERTER
SCALE: NONE D073019A



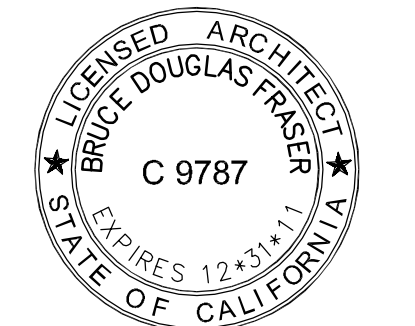
14 PARAPET COPING
3"= 1'-0"

PROJECT
ROLLING HILLS APARTMENTS
NEW COMMON BUILDING
LAS TABLAS ROAD
TEMPLETON, CA

CLIENT JOB # ARCHITECT JOB #
0708B



PROJECT MANAGER BDF
DRAWN BY DDL
DATES DESIGN DEVELOPMENT 4/15/10
FIRST SUBMITTAL 6/02/10
PLAN CHECK 1 8/16/10



The use of these plans and specifications shall be restricted to the original site for which they were prepared and publication thereof is expressly limited to such use. Reproduction or publication by any method, in whole or in part, is prohibited. Title to these plans and specifications remain with the architect without prejudice. Visual contact with these plans and specifications shall constitute prima facie evidence of the acceptance of these restrictions.
Written dimensions on these drawings shall have precedence over scaled dimensions. Contractors shall verify and be responsible for all dimensions and existing conditions on the job and shall report any discrepancies to the architect for resolution prior to commencing work.

SHEET TITLE
DETAILS

SHEET #
A9.2

\\John\Rolling Hills Acts 0708\Drawings\0 - Drawing Sheets\Architectural\A9.1 - Details.dwg, 8/13/2010 2:23:20 PM, P09995