

STEPHEN MACIE, P.E.

CALIF. CE: 28063, HI. SE: 5974
1009 Marro St., #201
San Luis Obispo, CA 93401
PH: 805-541-3837
Email: ECVALL3@AOL.COM



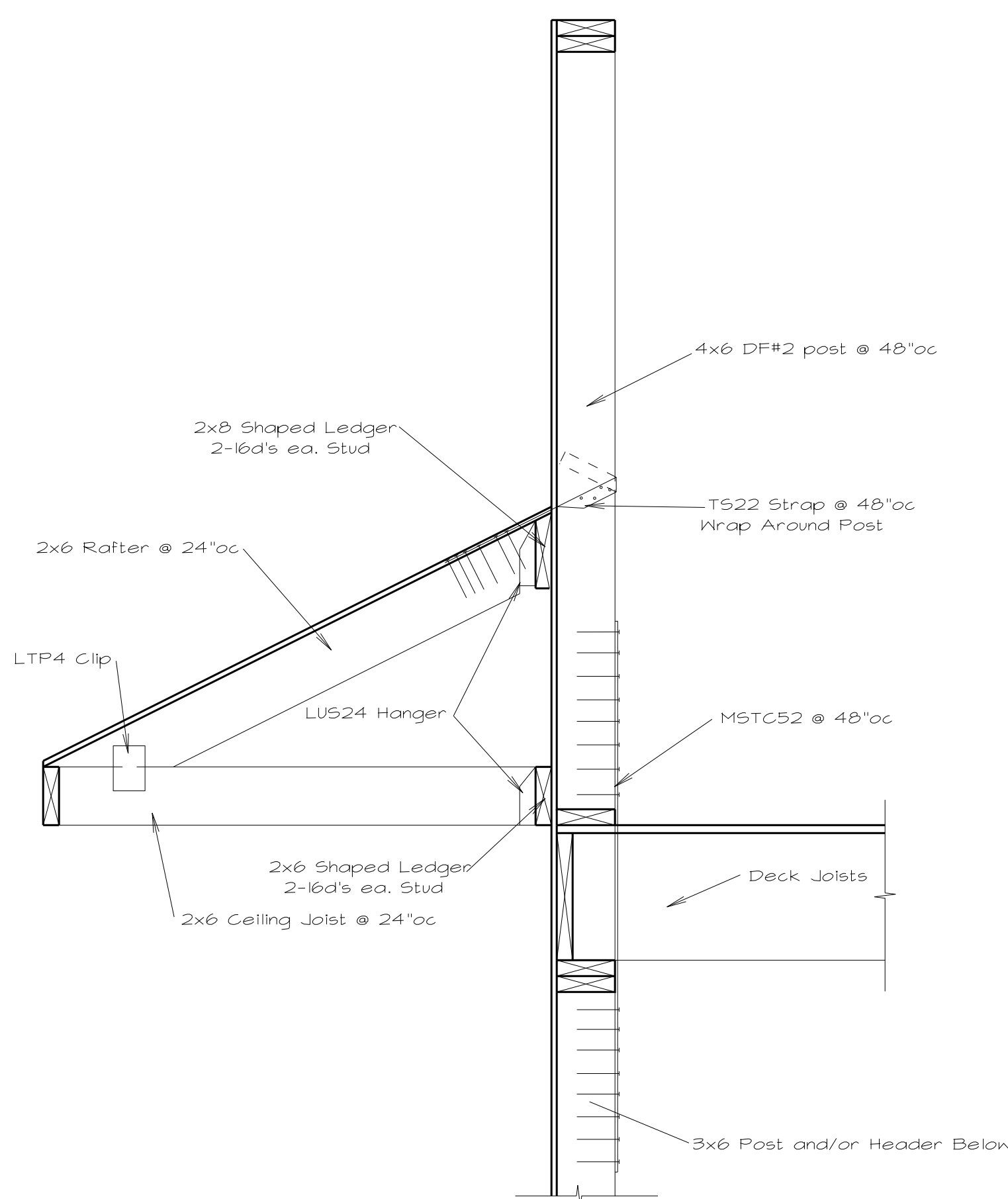
The use of these plans and specifications shall be restricted to the original site for which they were prepared and publication thereof is expressly limited to such use. Reproduction or publication by any method, in whole or in part, is prohibited. Title to these plans and specifications remain with the engineer or architect without prejudice. Visual contact with these plans and specifications shall constitute prima facie evidence of the acceptance of these restrictions.

Written questions on these drawings shall have precedence over scaled dimensions. Contractors shall verify and be responsible for all dimensions and existing conditions on the job and shall report any discrepancies to the engineer or the architect for resolution prior to commencing work.

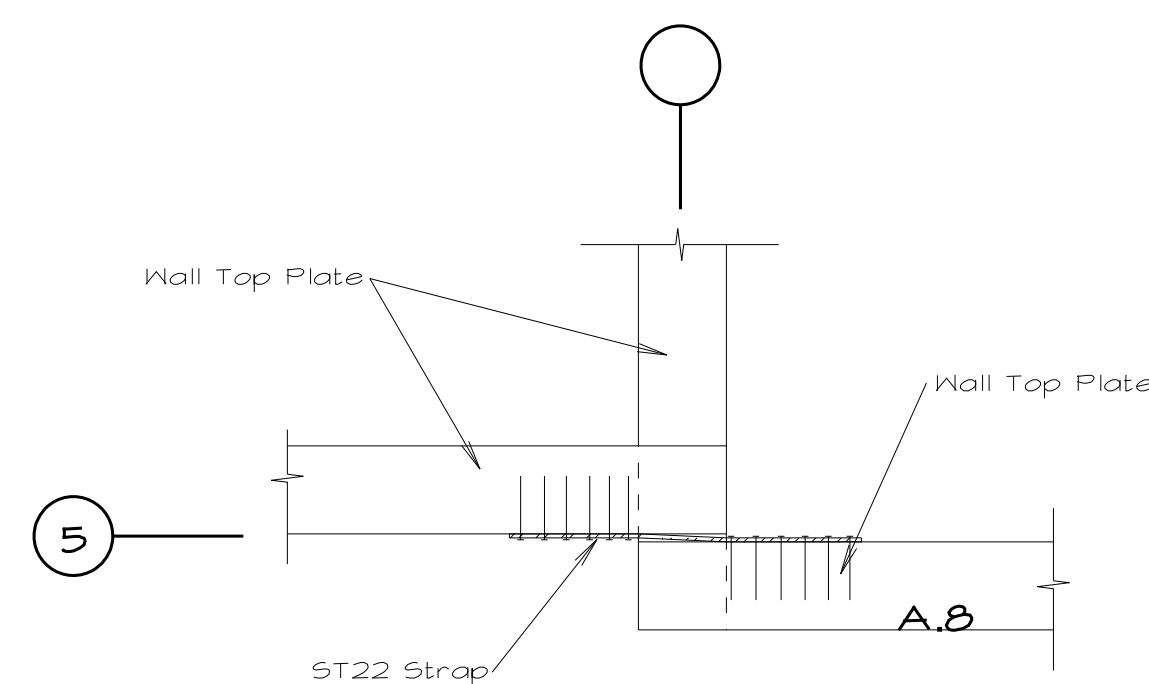
SHEET TITLE:
ROOF FRAMING DETAILS
COMMON BUILDING

SHEET #:

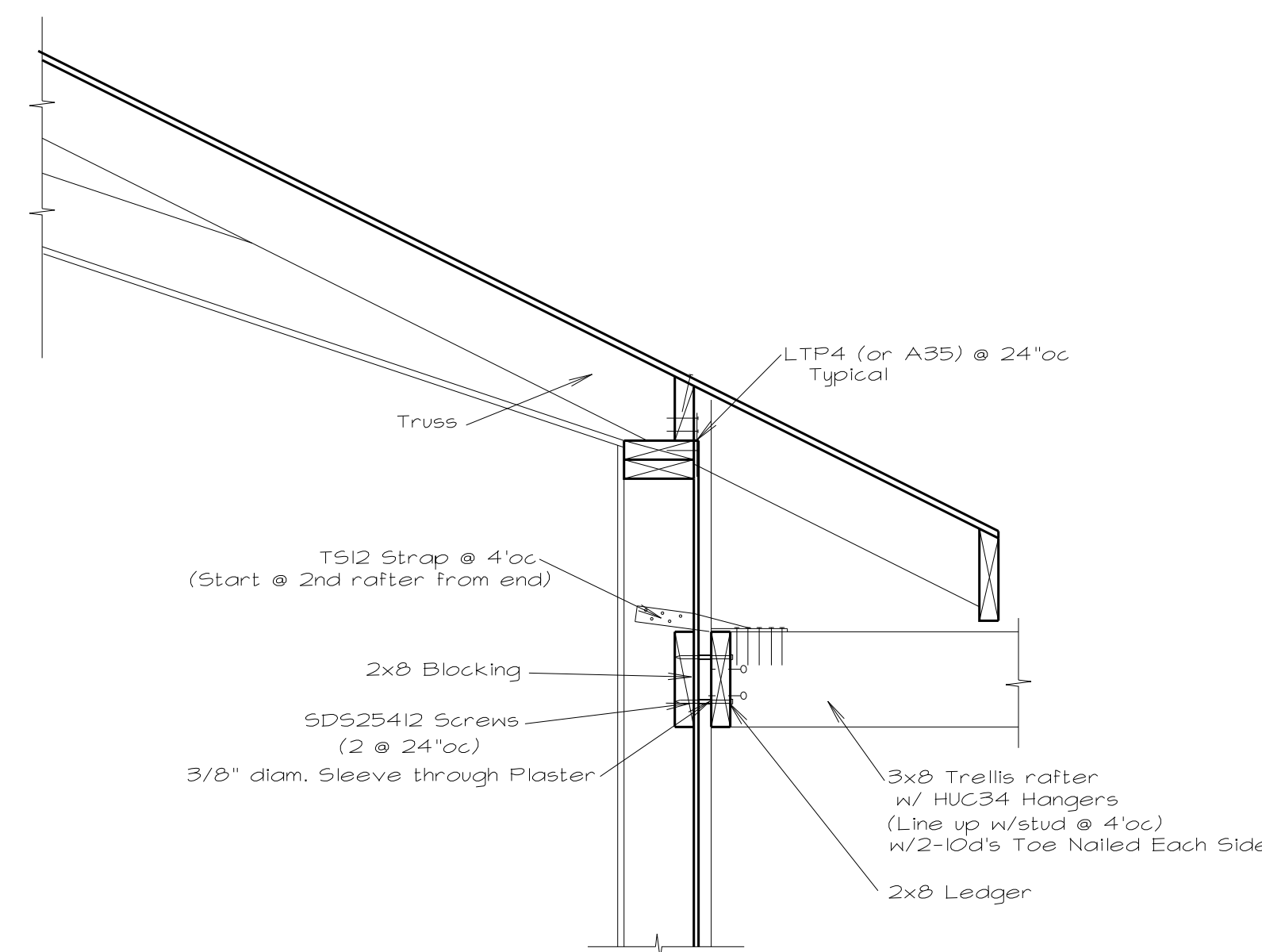
S4.2



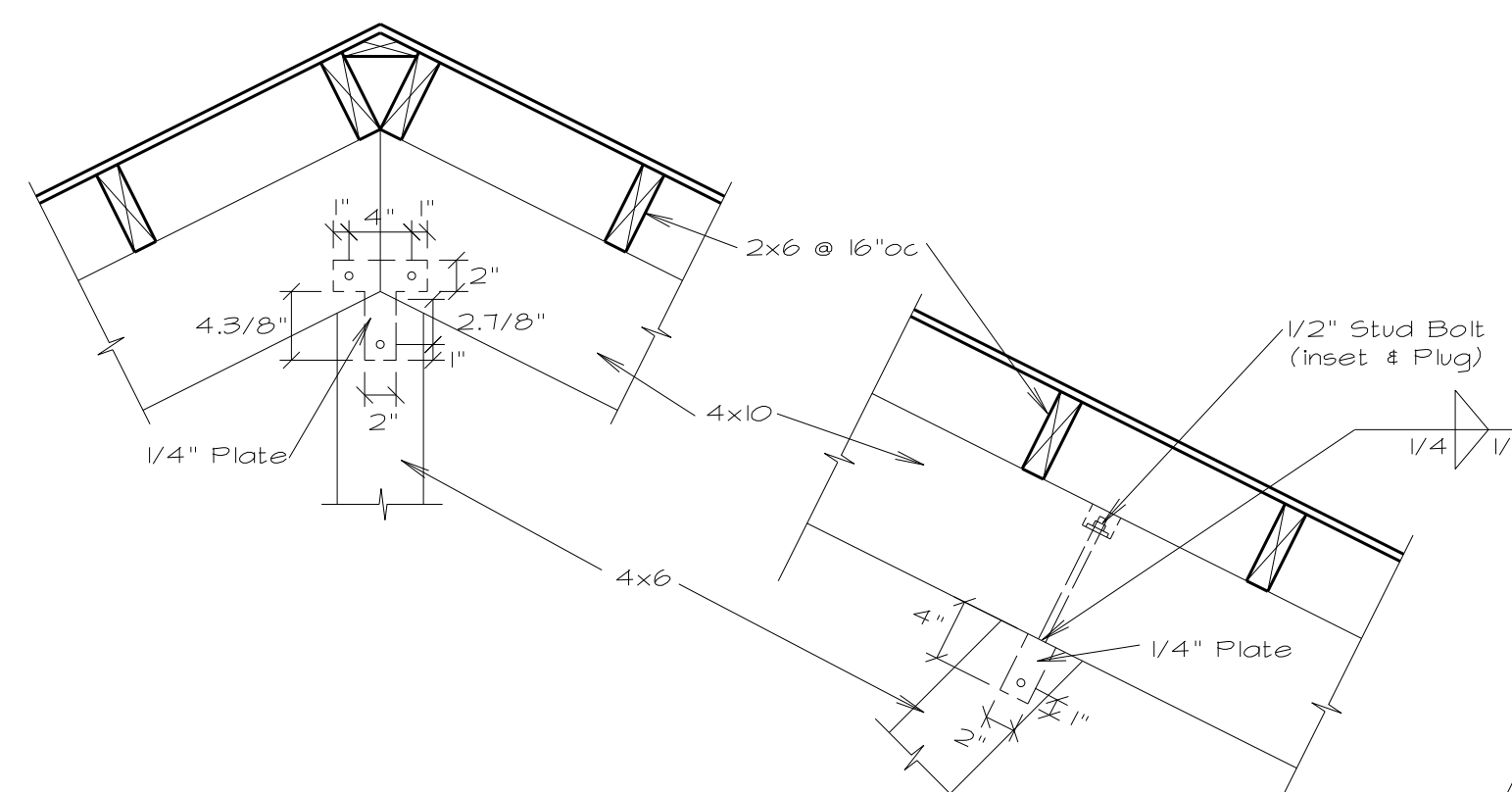
MDP MECHANICAL DECK EYEBROW & WALL SECTION
1" = 1'-0"



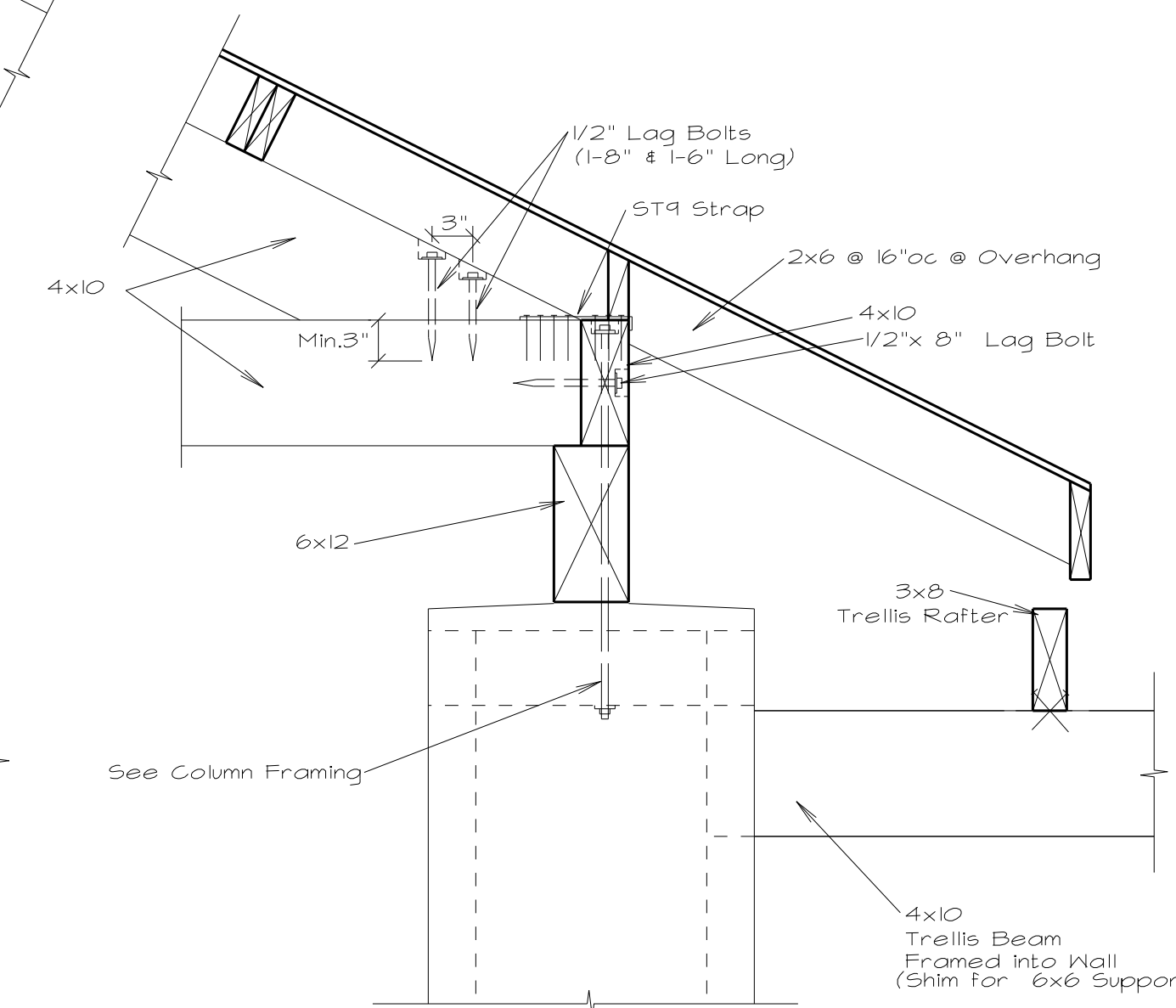
5 LINE 5-6 TOP PLATE SPLICE
1" = 1'-0"



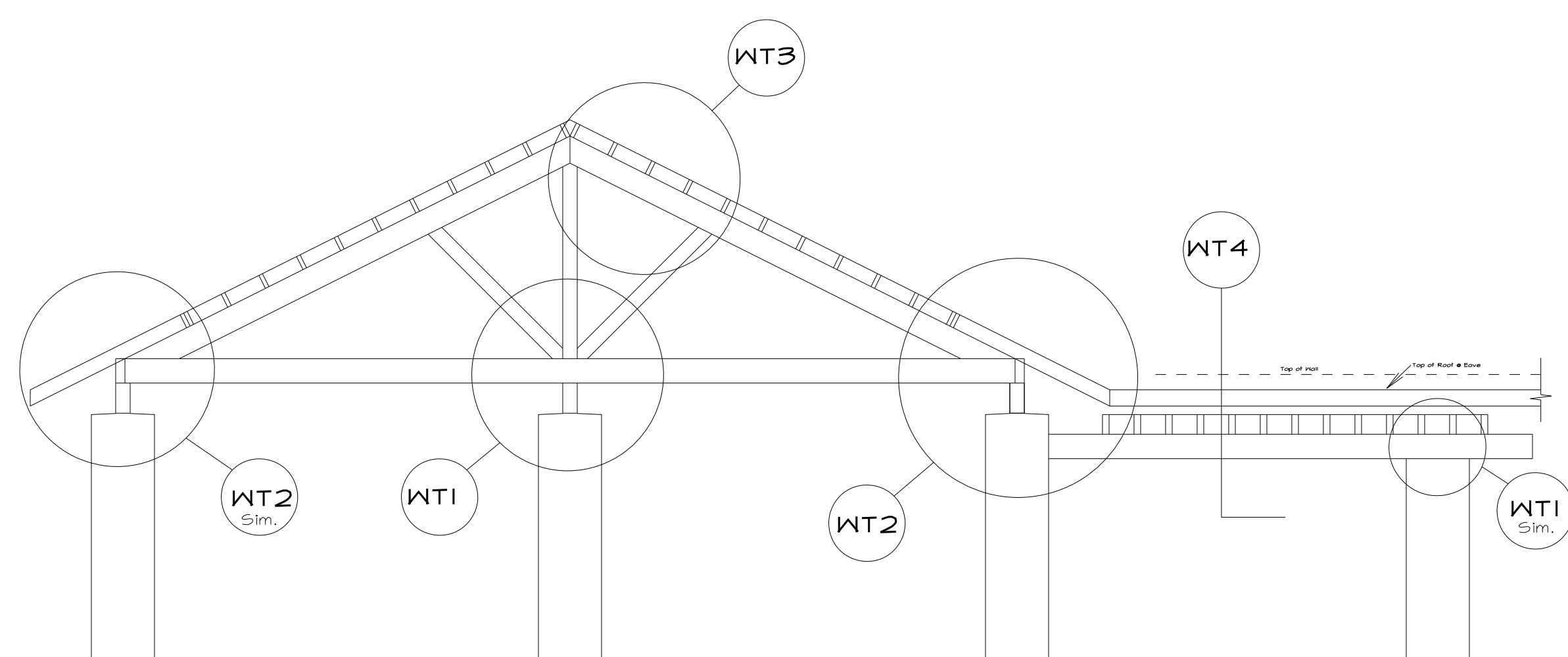
WT4 WEST TRELLIS CONNECTION TO WALL
1" = 1'-0"



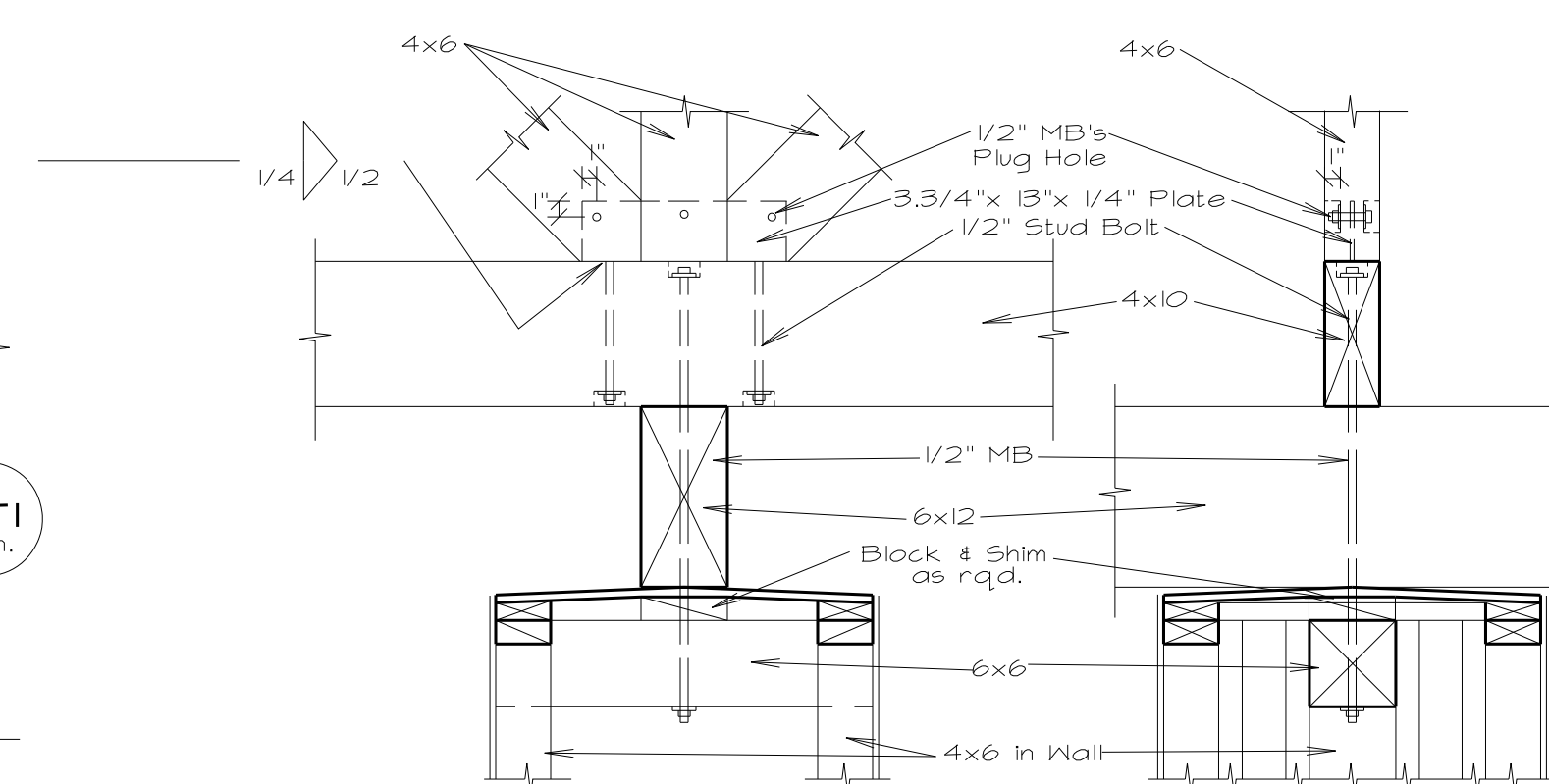
WT3 TRUSS RIDGE & DIAGONAL CONNECTION
1" = 1'-0"



WT2 TRUSS CONNECTION @ END
1" = 1'-0"



WT WEST TRUSS & TRELLIS ELEVATION
1/4" = 1'-0"



WT1 TRUSS SUPPORT COLUMN (Typ.)
1" = 1'-0"