

ROLLING  
HILLS  
APARTMENTS

Templeton, CA

STEPHEN MACIE, P.E.

CALIF. CE: 28063, HI. SE: 5974  
1009 Marro St. #201  
San Luis Obispo, CA 93401  
PH: 805-541-3837  
Email: ECVAL3EAOL.COM

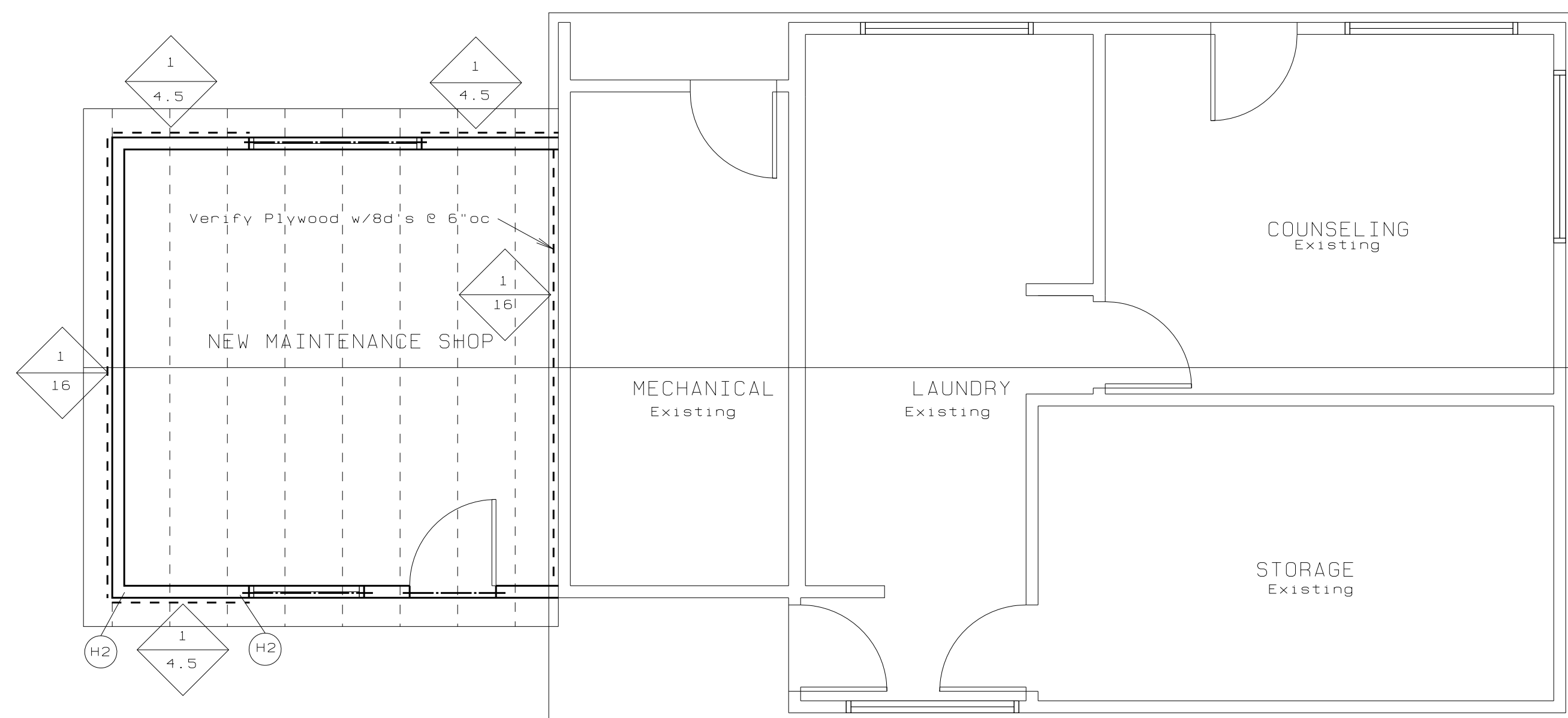


The use of these plans and specifications shall be restricted to the original site for which they were prepared and publication thereof is expressly limited to such use. Reproduction or publication by any method, in whole or in part, is prohibited. Title to these plans and specifications remain with the engineer or architect without prejudice. Visual contact with these plans and specifications shall constitute prima facie evidence of the acceptance of these restrictions.

Written dimensions on these drawings shall have precedence over scaled dimensions. Contractors shall verify and be responsible for all dimensions and existing conditions on the job and shall report any discrepancies to the engineer or the architect for resolution prior to commencing work.

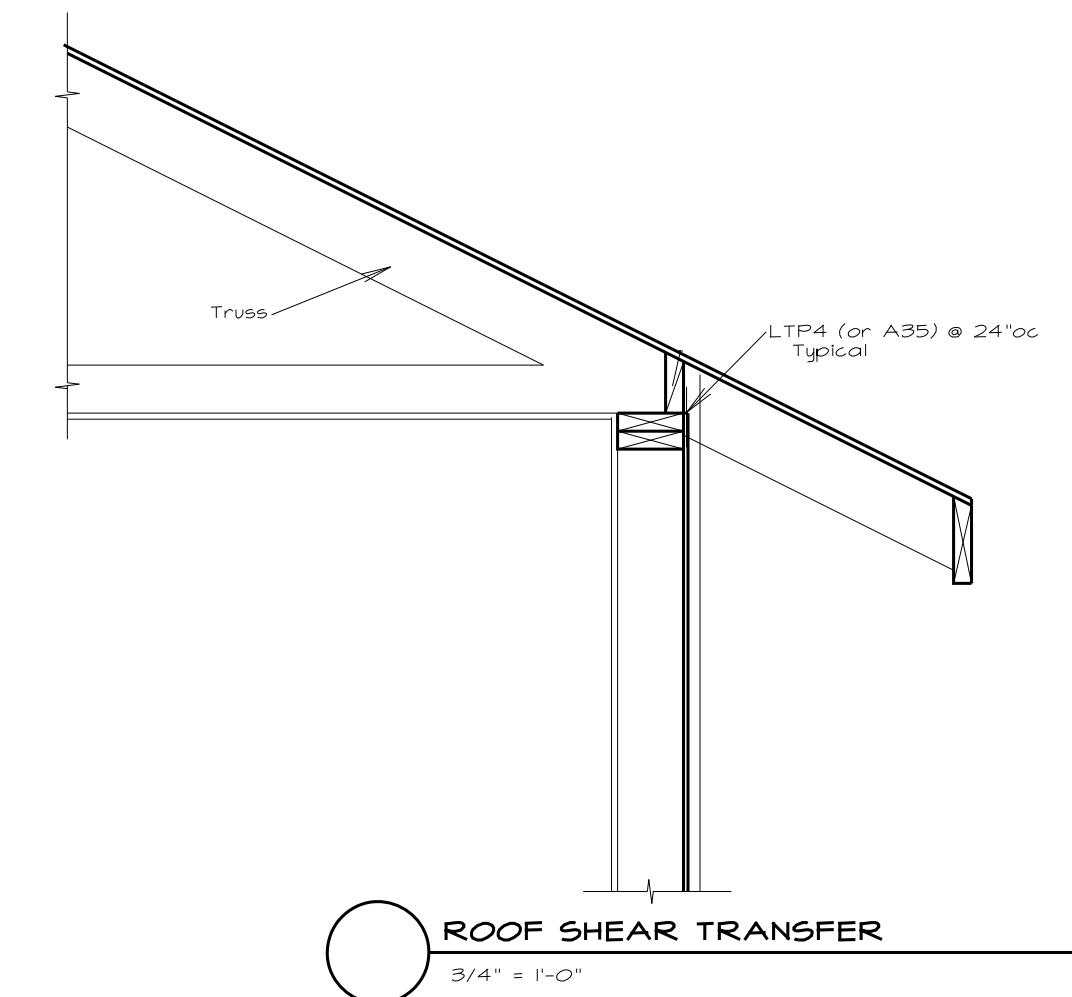
SHEET TITLE:  
SHOP ADDITION

SHEET #:  
S5.1

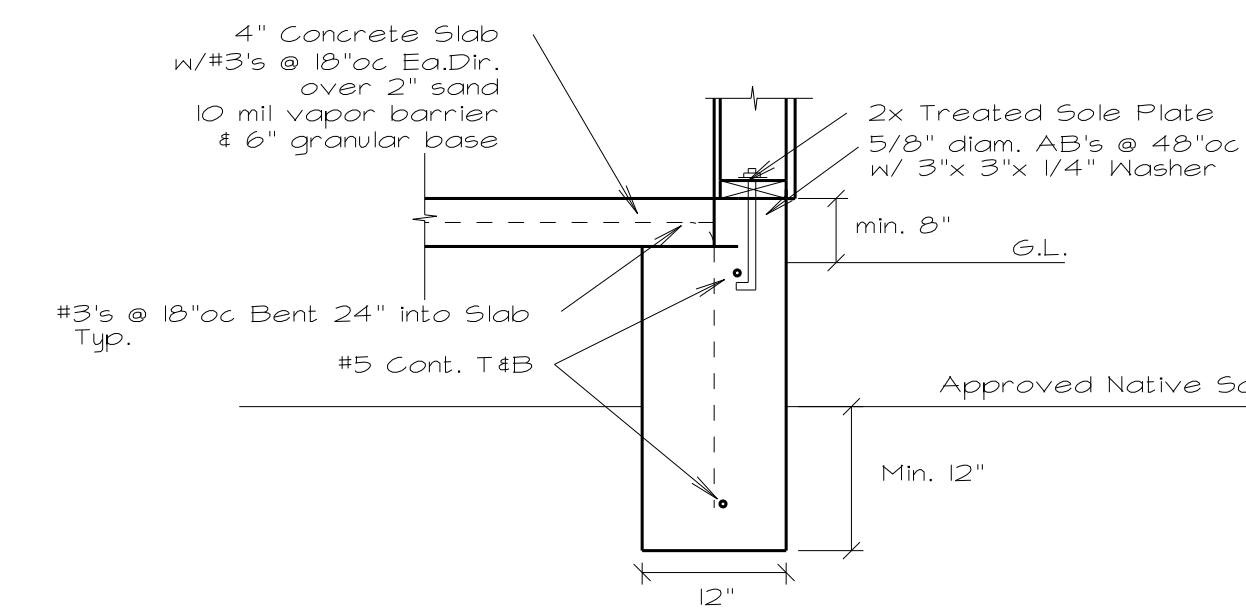


**ROOF FRAMING w/ LATERAL PLAN**

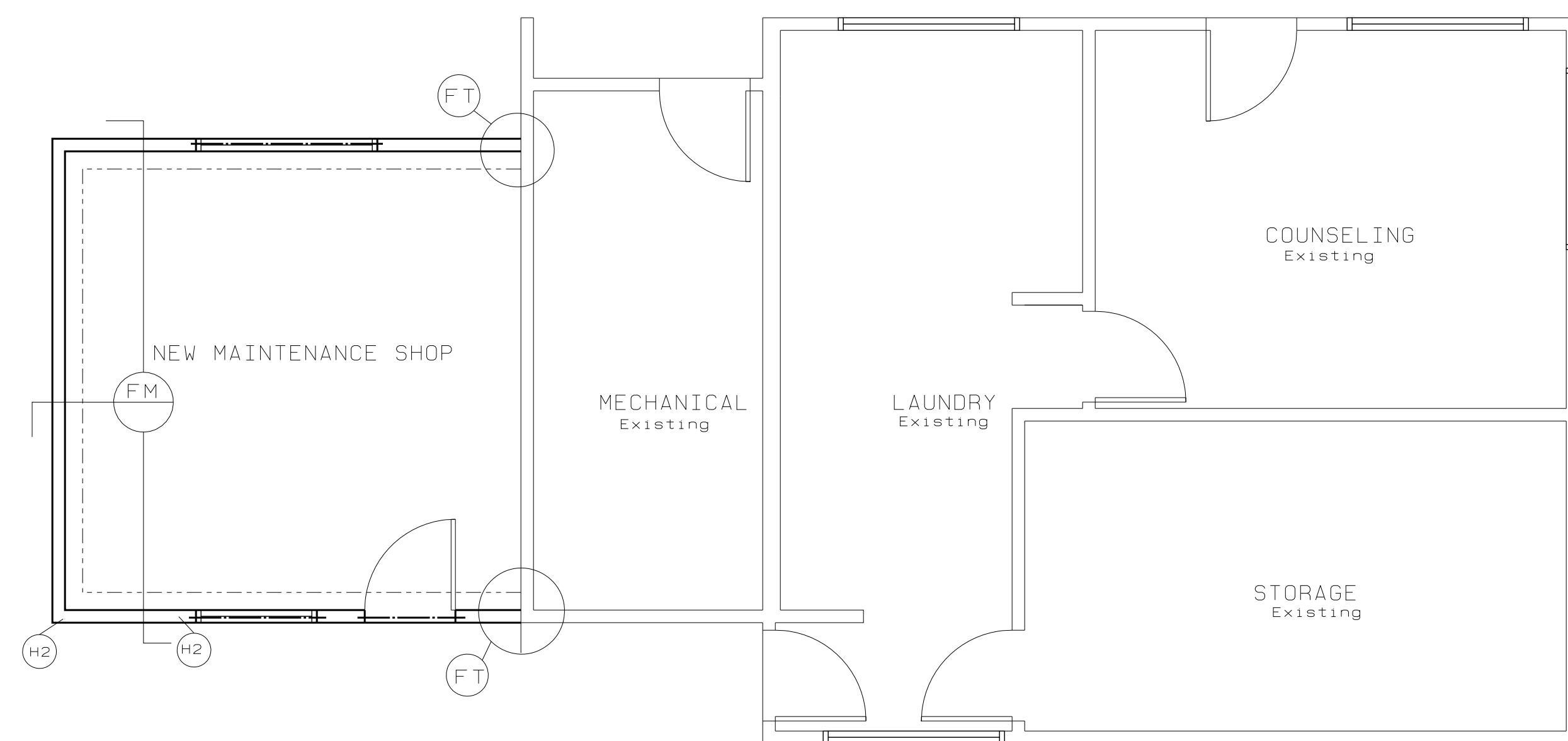
1/4" = 1'-0"  
Roof Trusses by manufacturer  
Roof Ply = Min. 15/32" CSX/OSB w/8d's @ 6"/6"/12"oc  
Min. 10-16d's Each Side of Top Plate Splice  
See Common Building Lateral Plan for Shear Key



**ROOF SHEAR TRANSFER**  
3/4" x 1'-0"

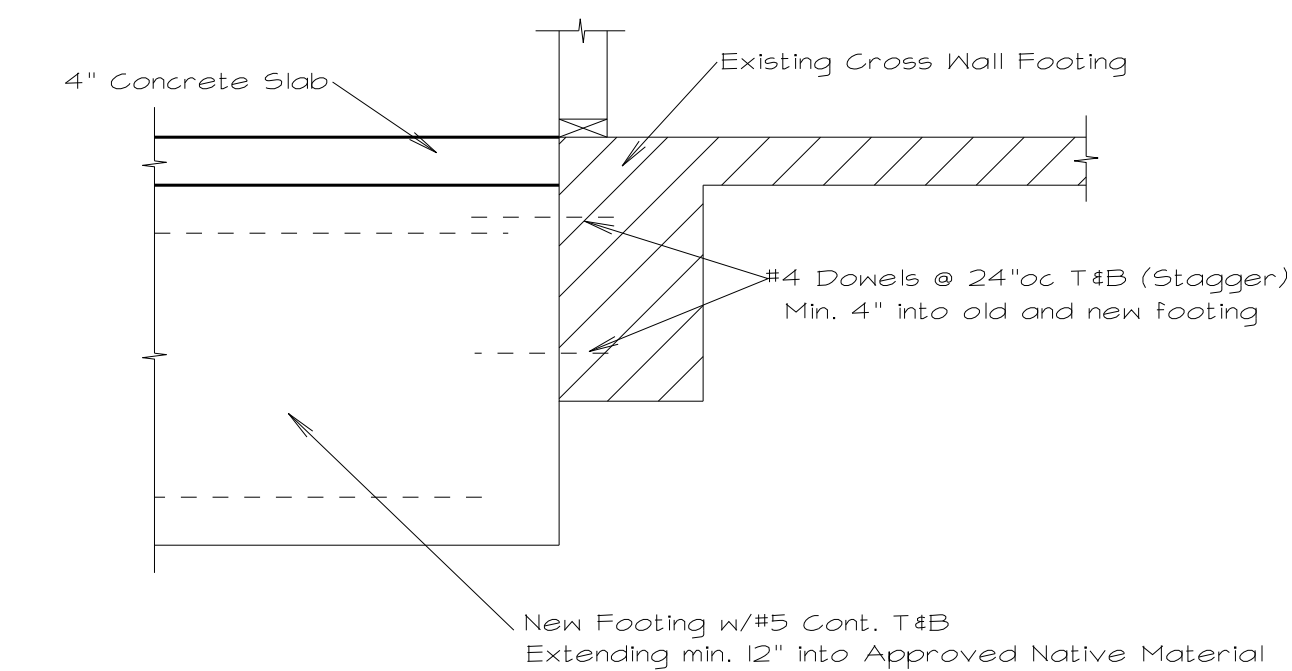


**FM PERIMETER FOOTING**  
3/4" x 1'-0"



**FOUNDATION PLAN**

1/4" = 1'-0"  
Concrete f'c = 2500 psi @ 28 days  
Rebar Fy = 60 ksi (#3 bars Fy = 40 ksi)  
See Soils Report for grading and soil preparation.  
See Architectural Plan for dimensions of layout.  
Secure all anchor bolts prior to pouring of concrete.  
H2 = HDU2-2SDS2.5 w/SSTB16 AB  
Typical AB = 5/8" Anchor Bolts @ max. 48"oc w/3"x 3"x 1/4" Plate Washer  
(If slotted washer, use standard washer between plate washer and nut)



**FT NEW FOOTING TO OLD FOOTING**  
3/4" x 1'-0"