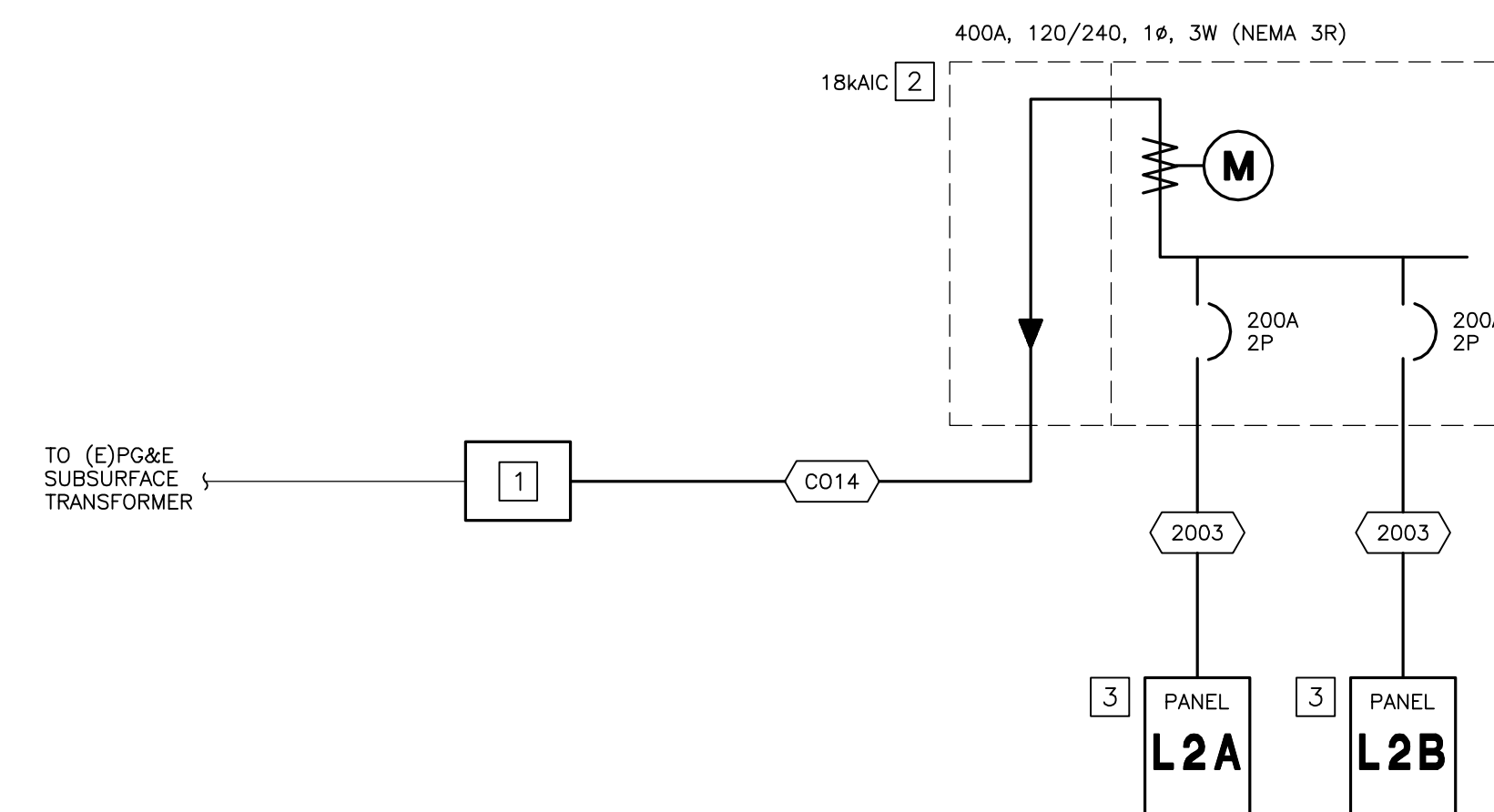


**SINGLE LINE
DIAGRAM NOTES**

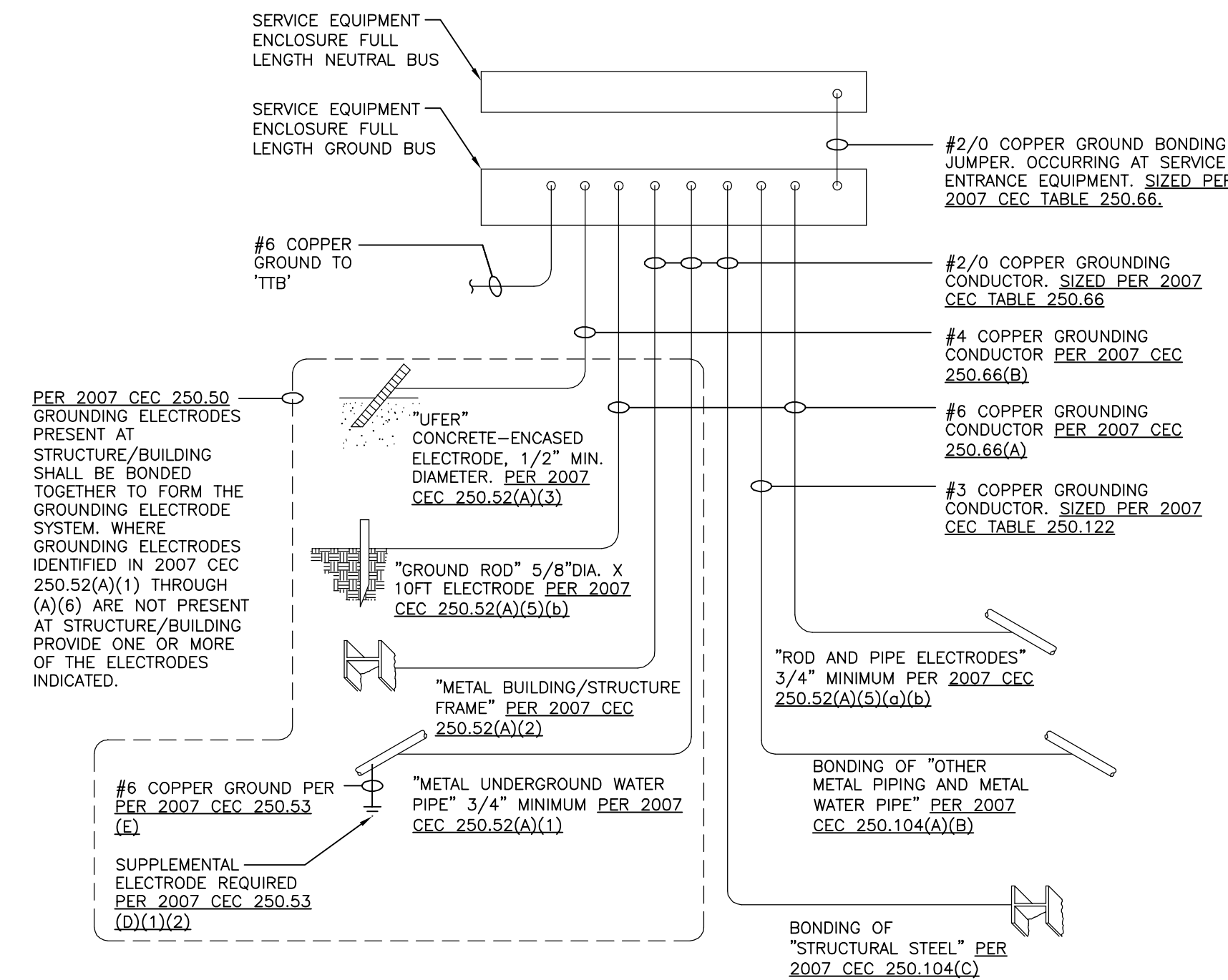
- IT SHALL BE THE CONTRACTOR'S RESPONSIBILITY TO CONTACT AND COORDINATE WITH THE SERVING UTILITY TO ENSURE ALL SERVING UTILITY REQUIREMENTS ARE MET.
- SERVICE ENTRANCE EQUIPMENT SHALL BE IN ACCORDANCE WITH THE SERVING ELECTRIC UTILITY COMPANY'S REQUIREMENTS.
- ALL CONDUCTORS SHALL BE COPPER WITH TYPE [THHN/THWN] INSULATION UNLESS OTHERWISE NOTED.
- ALL SWITCHES, CIRCUIT BREAKERS AND OTHER EQUIPMENT, AS SPECIFIED, SHALL HAVE TERMINATION PROVISIONS LISTED AND IDENTIFIED FOR USE WITH 75 DEG. CONDUCTORS, AND ALL FEEDER CONDUCTORS, AND CONDUITS, ARE SIZE BASED ON USE OF 75 DEG. C COPPER WIRES TYPE THWN/THHN.
- DESIGN SHOWN IS BASED ON EATON PRODUCT. ENGINEER-APPROVED EQUAL ALTERNATE PRODUCT WILL BE ACCEPTABLE.
- ALL EQUIPMENT SHALL HAVE AN APPROVED TESTING LABORATORY LABEL ATTACHED [UL, CSA, ETC.] (CEC 110-2).
- THE ELECTRICAL CONTRACTOR IS RESPONSIBLE FOR SUPPLYING SWITCHGEAR SIZED TO FIT IN THE AVAILABLE SPACE IN THE ELECTRIC ROOM. REFER TO ARCHITECTURAL PLANS FOR DIMENSIONAL INFORMATION NOT SHOWN ON THE ELECTRICAL PLANS. CONTRACTOR SHALL SUBMIT A 1/4" SCALE DRAWING OF ALL SWITCHGEAR, AND TERMINATION CABINETS ON FLOOR PLAN WITH SUBMITTAL.

COPPER FEEDER SCHEDULE		
FEEDER	RACEWAY	CONDUCTORS
CO14	(1) 4" C	CONDUIT ONLY WITH PULL ROPE.
2003	(1) 2" C	(3) #3/0 THWN & (1) #6 GND.

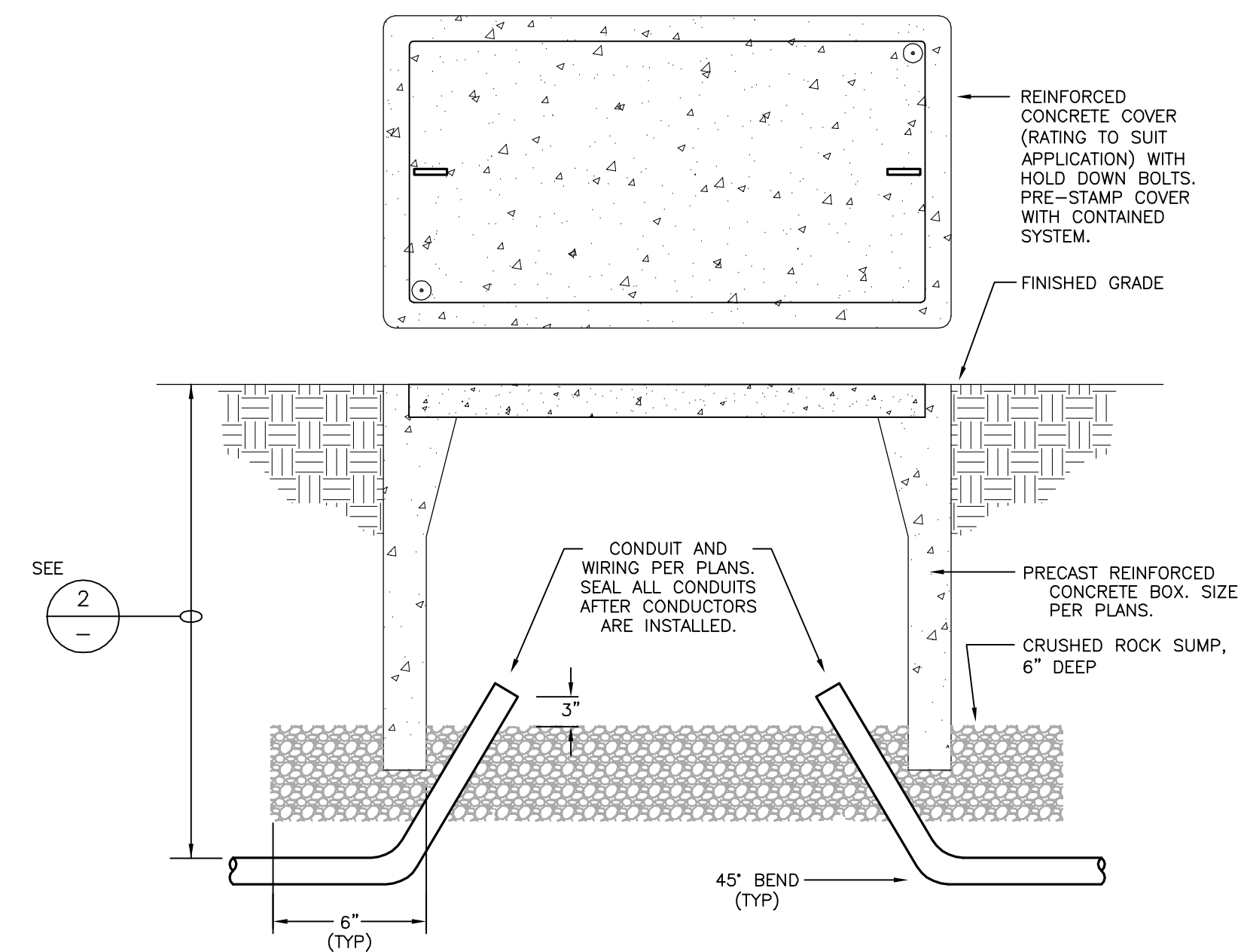


REFERENCE NOTES

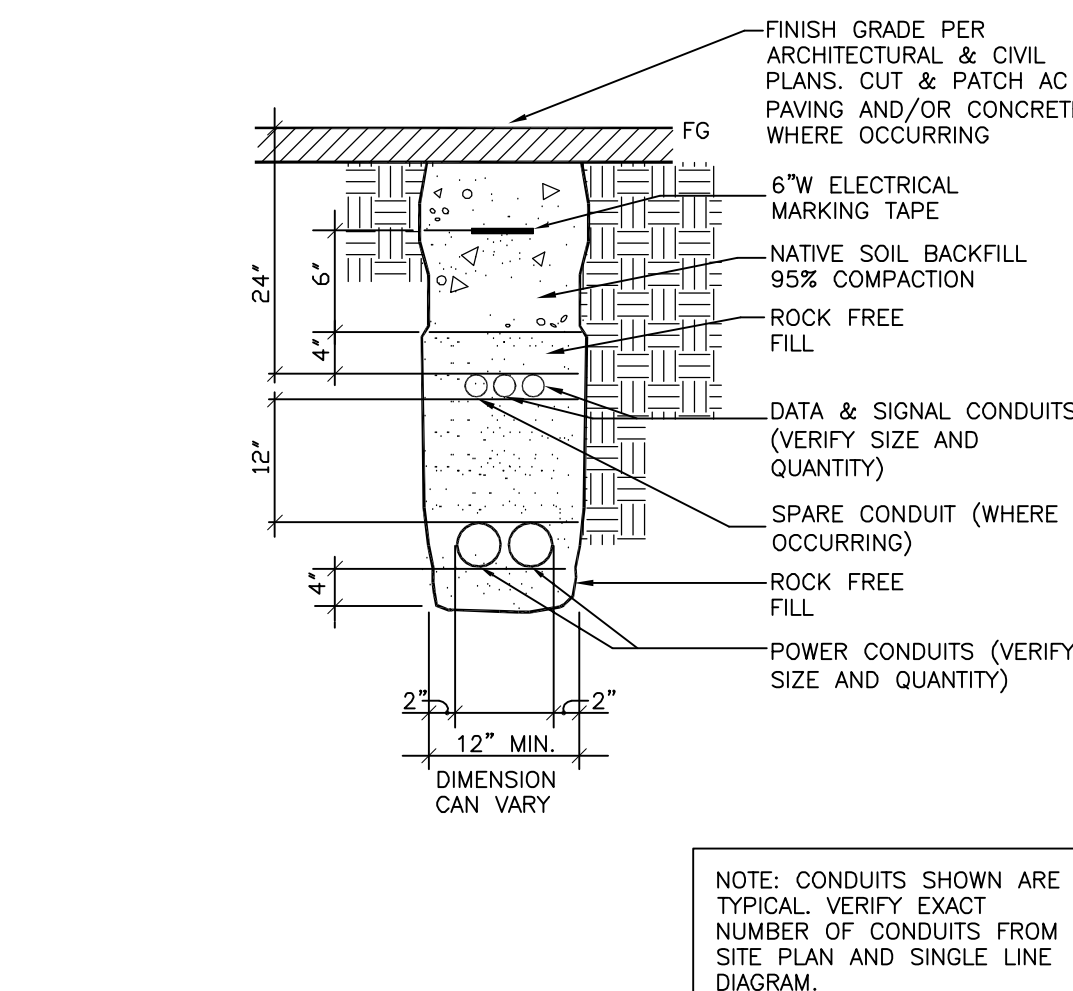
1. PG&E SECONDARY PULL BOXES. VERIFY REQUIREMENTS WITH PG&E HANDOUT PACKAGE. REFER TO SITE PLAN FOR LOCATION.
2. NEW COMMON BUILDING 400A (320A CONTINUOUS) SERVICE METER/MAIN WITH (2) 200A MAIN CIRCUIT BREAKERS TO FEED BRANCH CIRCUIT PANELS. SEE FLOOR PLAN FOR LOCATION.
3. NEW BRANCH CIRCUIT PANEL. SEE FLOOR PLAN FOR LOCATION.



1 GROUND/BOND DETAIL
NTS



4 PULLBOX DETAIL
NTS



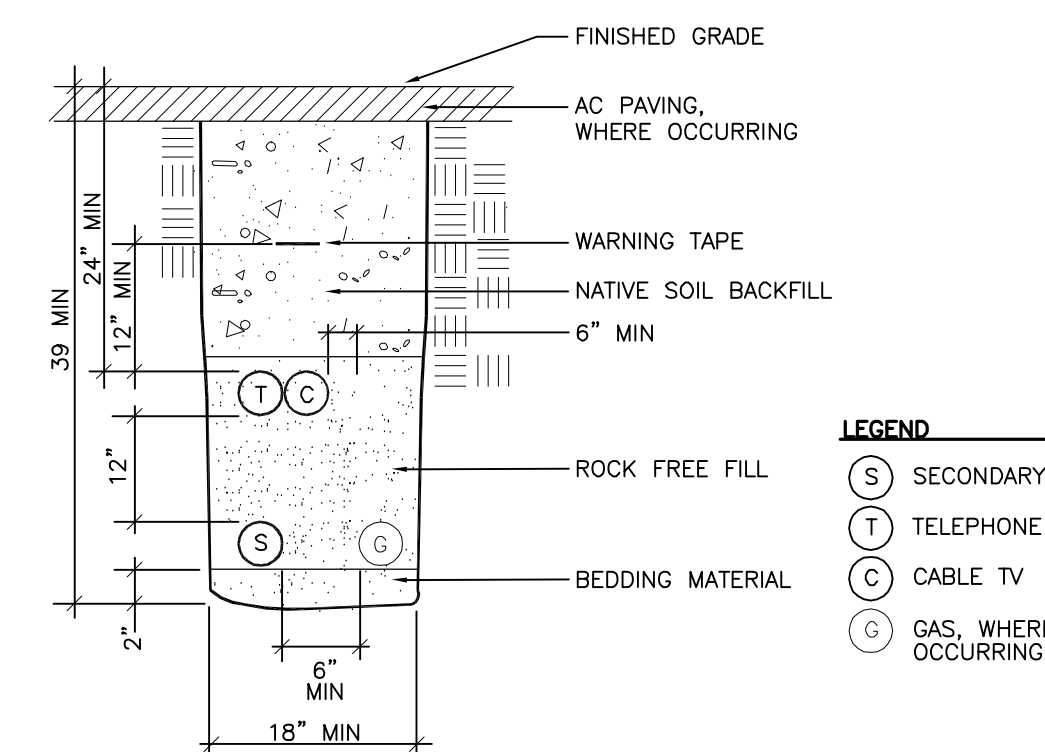
2 COMMON TRENCH DETAIL
NTS

WARNING
POTENTIAL ARC FLASH HAZARD
Appropriate PPE and Tools Required
when working on this equipment

PPE REFERS TO "PERSONAL PROTECTIVE EQUIPMENT".

NOTE:
IN ACCORDANCE WITH CEC 110.16, PROVIDE ARC FLASH PROTECTION WARNING LABELS ON EACH SWITCHBOARD, PANELBOARD, AND TRANSFORMER. LABELS SHALL BE PER ANSI Z535.4 GUIDELINES.

5 ARC FLASH SIGNAGE
NTS



3 UTILITY TRENCH DETAIL
NTS

SINGLE LINE DIAGRAM