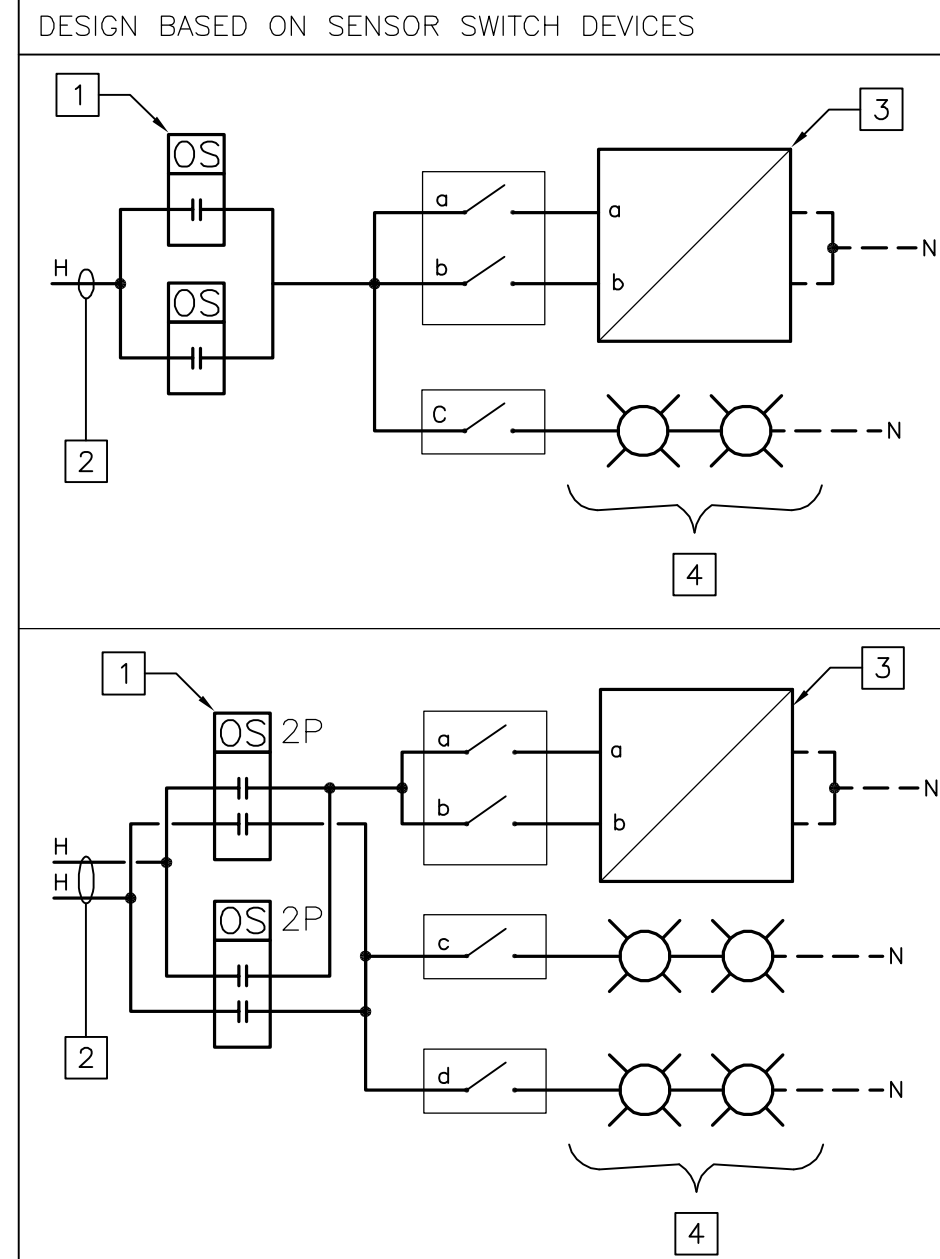
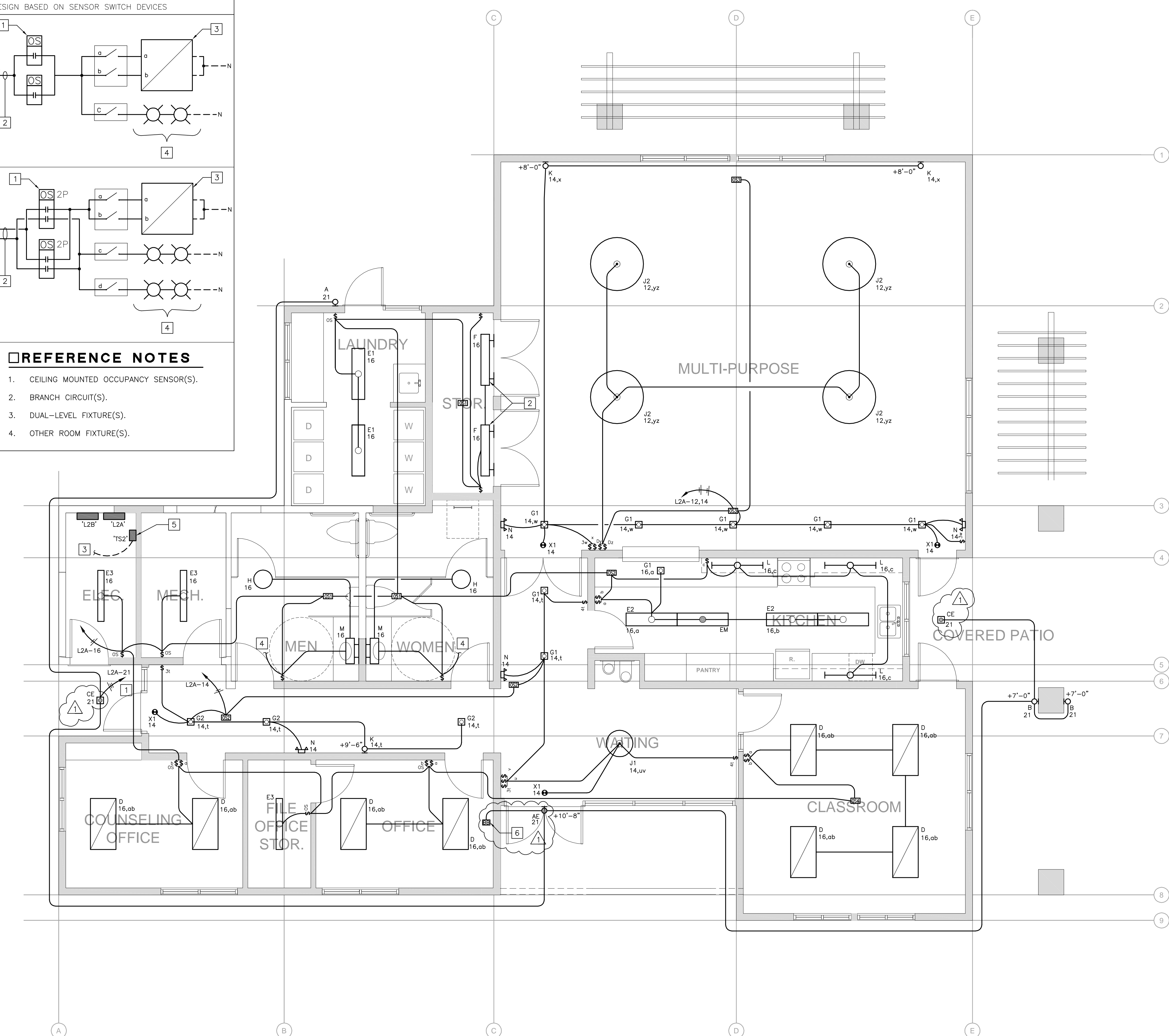


TYPICAL LINE VOLTAGE OCCUPANCY SENSOR WIRING DIAGRAMS
DESIGN BASED ON SENSOR SWITCH DEVICES



REFERENCE NOTES

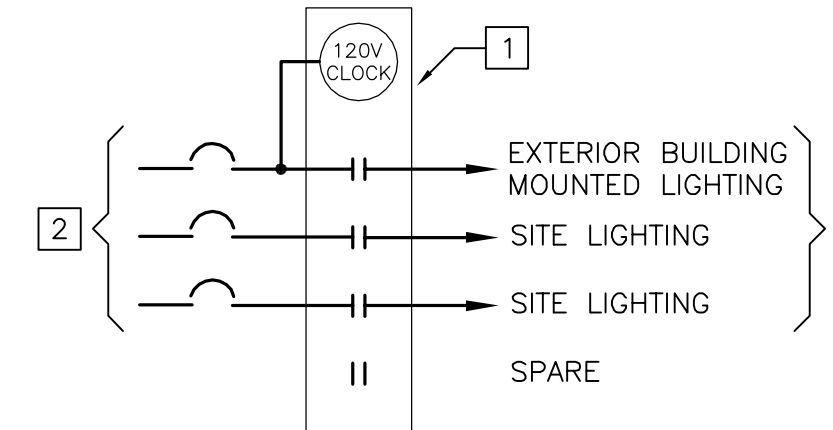
1. CEILING MOUNTED OCCUPANCY SENSOR(S).
2. BRANCH CIRCUIT(S).
3. DUAL-LEVEL FIXTURE(S).
4. OTHER ROOM FIXTURE(S).



REFERENCE NOTES

1. ROUTE CIRCUIT THROUGH TIME SWITCH 'TS2'. PROVIDE UNSWITCHED HOT TO FIXTURES WITH EMERGENCY BATTERY BACKUP.
2. MOUNT FIXTURE ON WALL ABOVE DOOR.
3. NEW UNDERGROUND CONDUIT FOR BRANCH CIRCUITS TO EXISTING SITE LIGHTING. REFER TO SHEETS E1.0 AND E1.1 FOR LOCATIONS AND CIRCUIT DESIGNATIONS.
4. INTERLOCK RESTROOM LIGHTS WITH EXHAUST FAN 'EF-1' PER MECHANICAL DETAIL 52 SHEET MP5.1.
5. TIME SWITCH 'TS2'. SEE CONTROL DIAGRAM (THIS SHEET).
6. REMOTE BATTERY PACK FOR EXTERIOR BUILDING MOUNTED FIXTURE. INSTALL IN ACCESSIBLE CEILING AREA ABOVE OFFICE.

LIGHTING CONTROL DIAGRAM



REFERENCE NOTES

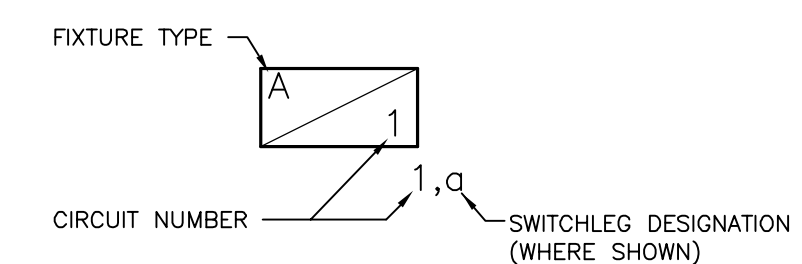
1. ELECTRONIC TIME SWITCH 'TS2'. 4-CHANNEL, 24 HOUR, 7 DAY, 365 DAY, ASTRONOMIC, WITH DAYLIGHT SAVINGS CONTROL. PARAGON EL74 OR APPROVED EQUAL.
2. BRANCH CIRCUITS (INDICATED ON PLANS).
3. PROGRAM ZONES PER OWNER'S SCHEDULE.

OCCUPANCY SENSOR LEGEND

DESIGN BASED ON SENSOR SWITCH DEVICES

SYMBOL	MODEL #	DESCRIPTION
\$OS	WSD-PDT	WALL SWITCH LINE VOLTAGE DUAL TECHNOLOGY
\$OS	WSD-2P	WALL SWITCH, 2-POLE LINE VOLTAGE PIR TECHNOLOGY
OS	CMR-PDT	CEILING MOUNT STANDARD RANGE LINE VOLTAGE DUAL TECHNOLOGY
OS	CMR-10	CEILING MOUNT EXTENDED RANGE LINE VOLTAGE PIR TECHNOLOGY
OS	CMR-PDT-10-2P	CEILING MOUNT, 2-POLE EXTENDED RANGE LINE VOLTAGE DUAL TECHNOLOGY
OS	CMR-2P	CEILING MOUNT, 2-POLE STANDARD RANGE LINE VOLTAGE PIR TECHNOLOGY

LIGHTING PLAN CIRCUITING LEGEND



- PROVIDE ALL BRANCH CIRCUIT WIRING FROM FIXTURES TO PANEL(S) AS DESCRIBED BY CIRCUIT NUMBERS SHOWN.
- PROVIDE ALL WIRING BETWEEN FIXTURES AND CONTROL DEVICES AS DESCRIBED IN REFERENCE NOTES AND/OR SHOWN BY SWITCHLEG DESIGNATIONS.
- EXIT AND EMERGENCY LIGHT FIXTURES SHALL BE CONNECTED TO AN UNSWITCHED BRANCH CIRCUIT CONDUCTOR.
- HOME RUN CONDUITS SHALL BE 3/4" CONDUIT MINIMUM, MAXIMUM OF (5) BRANCH CIRCUITS PER CONDUIT.

PROJECT

ACCESSIBILITY IMPROVEMENTS

ROLLING HILLS APARTMENTS

TEMPLETON, CA

CLIENT JOB # ARCHITECT JOB #
0708B



PROJECT MANAGER JT

DRAWN BY DM

DATES FIRST SUBMITTAL 5/28/10
PLAN CHECK 1 8/16/10

SIGNED



The use of these plans and specifications shall be restricted to the original site for which they were prepared and publication thereof is expressly limited to such use. Reproduction or publication by any method, in whole or in part, is prohibited. Title to these plans and specifications remain with the architect without prejudice. Visual contact with these plans and specifications shall constitute prima facie evidence of the acceptance of these restrictions.

Written dimensions on these drawings shall have precedence over scaled dimensions. Contractors shall verify and be responsible for all dimensions and existing conditions on the job and shall report any discrepancies to the architect for resolution prior to commencing work.

SHEET TITLE

LIGHTING FLOOR PLAN - COMMON BUILDING

SHEET #

E2.0