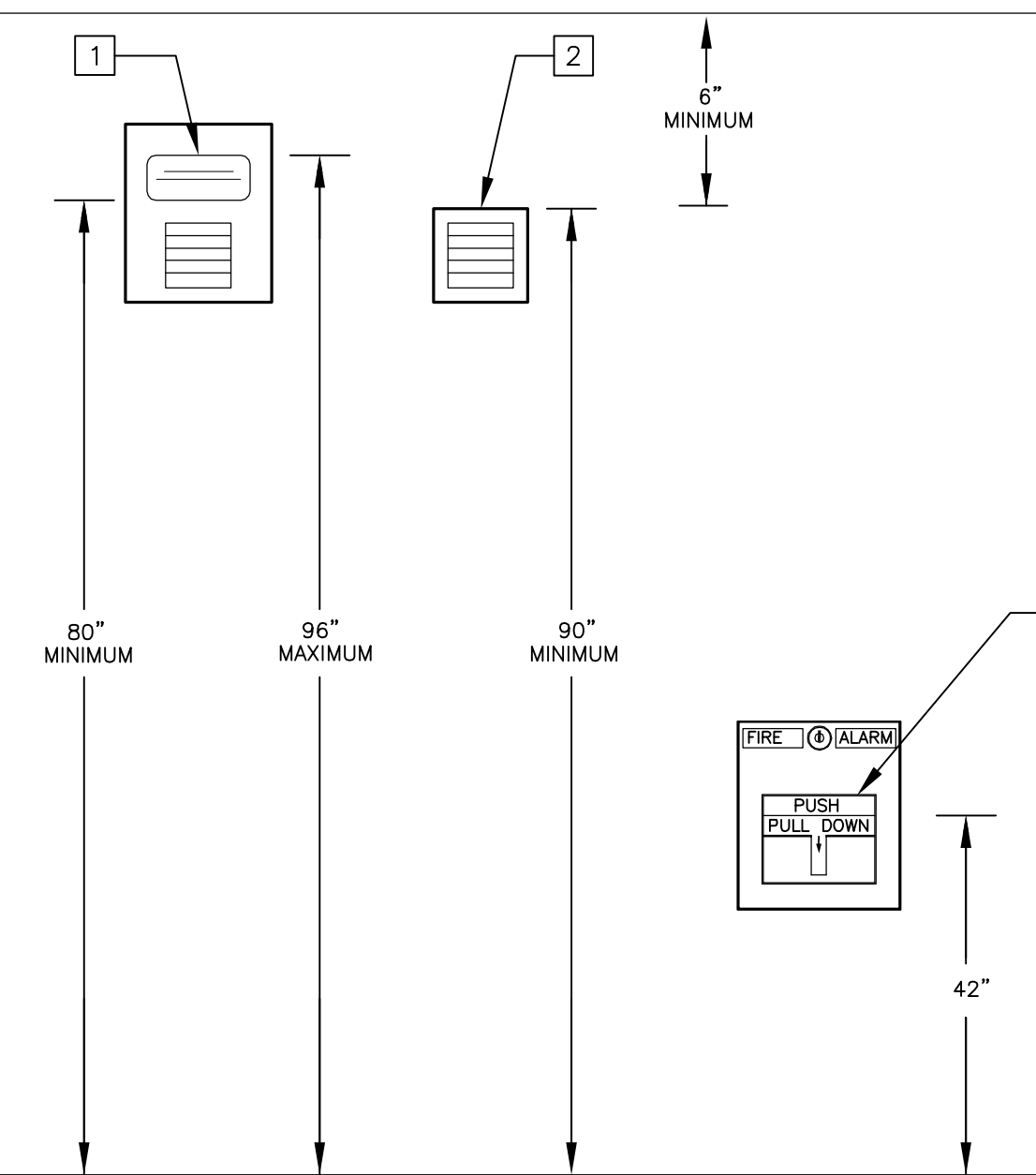


REFERENCE NOTES

1. CEILING MATERIAL
2. FRAMING ABOVE OR BLOCKING BETWEEN AS REQUIRED.
3. RECESSED HOUSING WITH EXPANDABLE MOUNTING BARS.
4. FIXTURE TRIM
5. OUTLET BOX BRANCH CIRCUIT
6. ATTACH TO FRAMING WITH #8x1-1/2" WOOD SCREWS. TOTAL (4) PER FIXTURE.

REFERENCE NOTES

1. **AUDIBLE/VISUAL & VISUAL-ONLY DEVICES:** WALL MOUNTED APPLIANCES SHALL HAVE THEIR ENTIRE LENS AT A HEIGHT ABOVE THE FINISHED FLOOR OF NOT LESS THAN 80" AND NO GREATER THAN 96".
2. **AUDIBLE DEVICES:** WHERE CEILING HEIGHTS PERMIT, WALL MOUNTED APPLIANCES SHALL HAVE THEIR TOPS AT HEIGHTS ABOVE FINISHED FLOOR OF NOT LESS THAN 90" AND BELOW THE FINISHED CEILING OF NOT LESS THAN 6".
3. **MANUAL PULL STATION:** THE OPERABLE PART OF EACH MANUAL FIRE ALARM BOX SHALL NOT BE LESS THAN 42" ABOVE FINISHED FLOOR AND NOT MORE THAN 48".

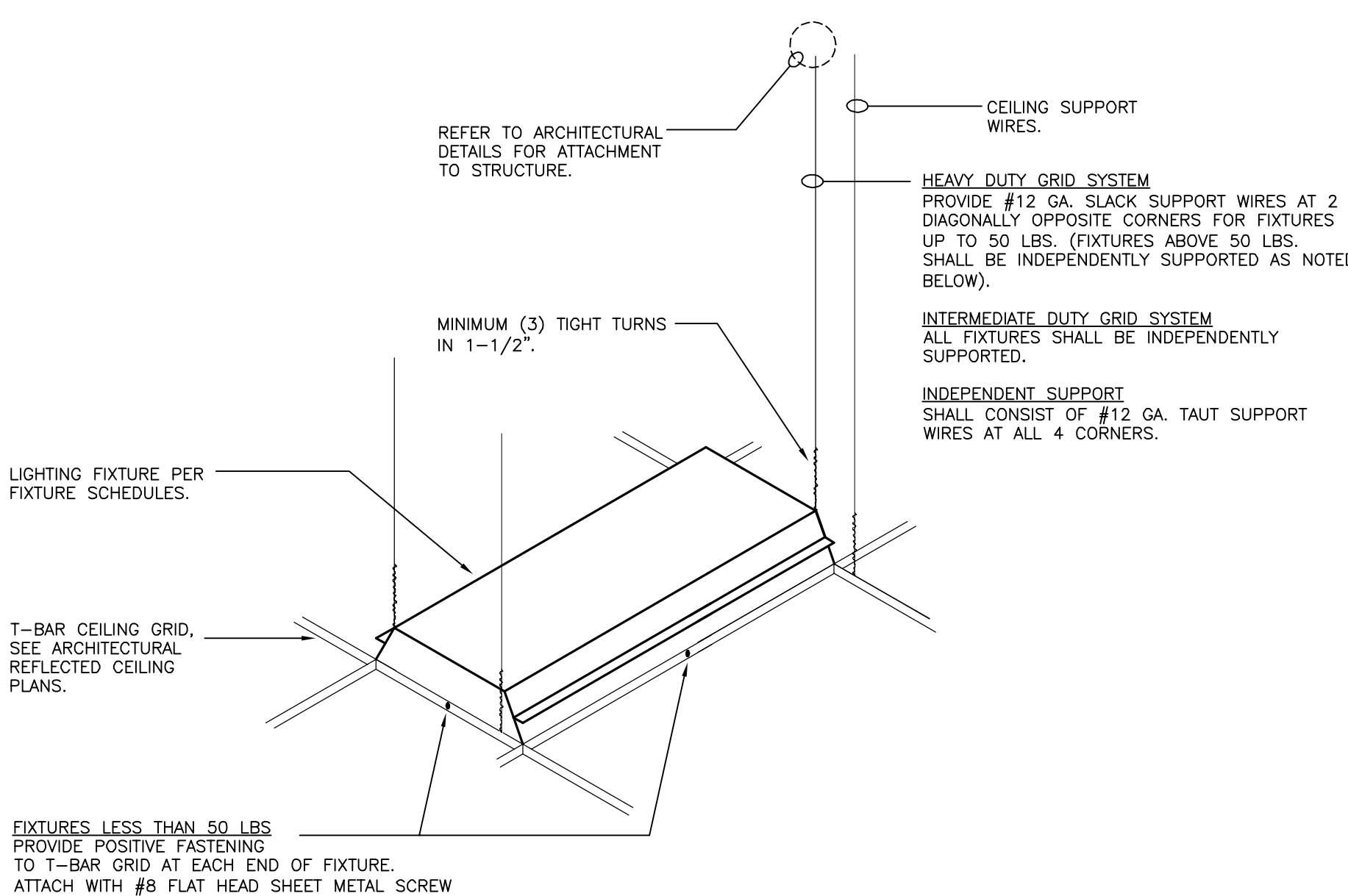


FIRE ALARM DEVICE ELEVATION DETAIL

SCALE: NTS

TYPICAL RECESSED DOWNLIGHT MOUNTING DETAIL

SCALE: NTS

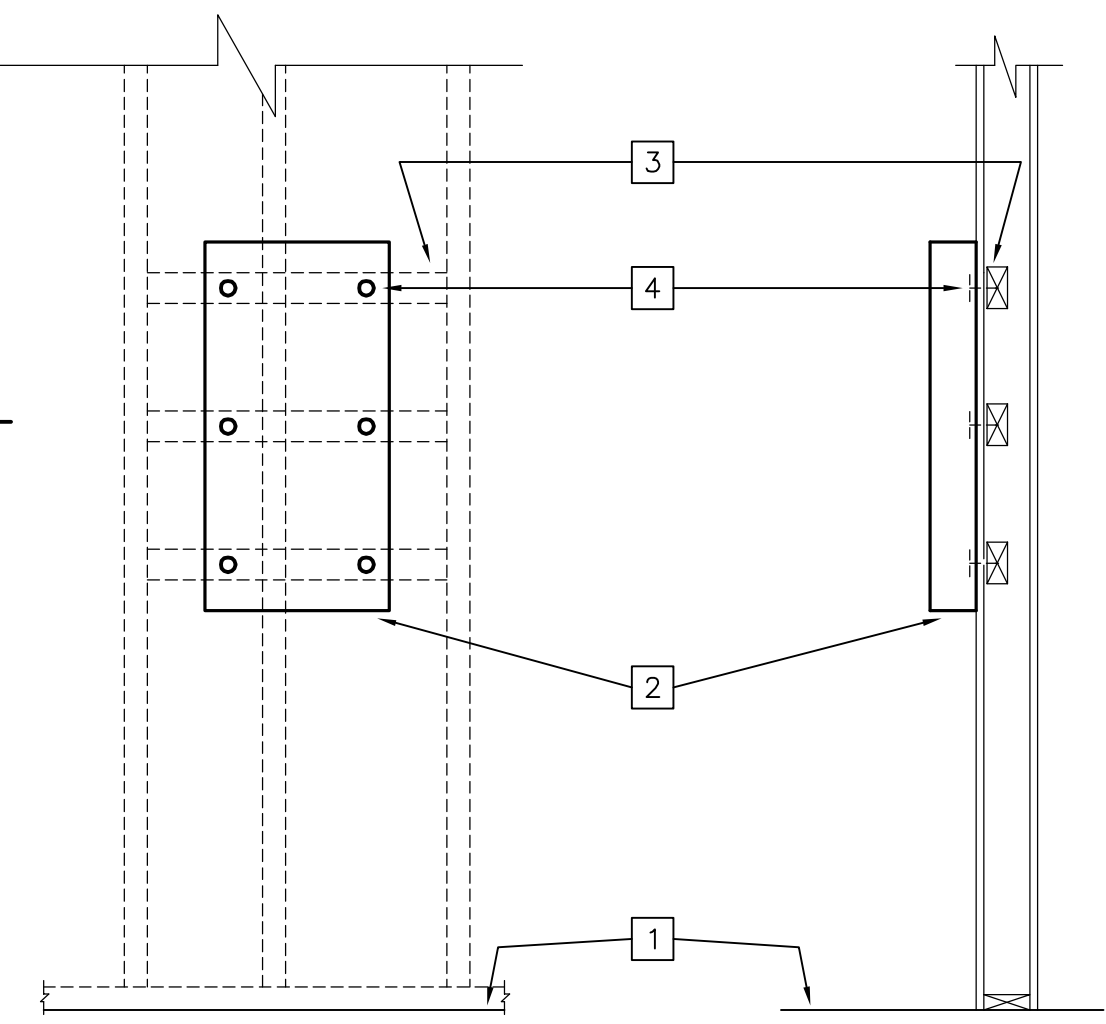


TROFFER LUMINAIRE MOUNTING DETAIL - GRID

SCALE: NTS

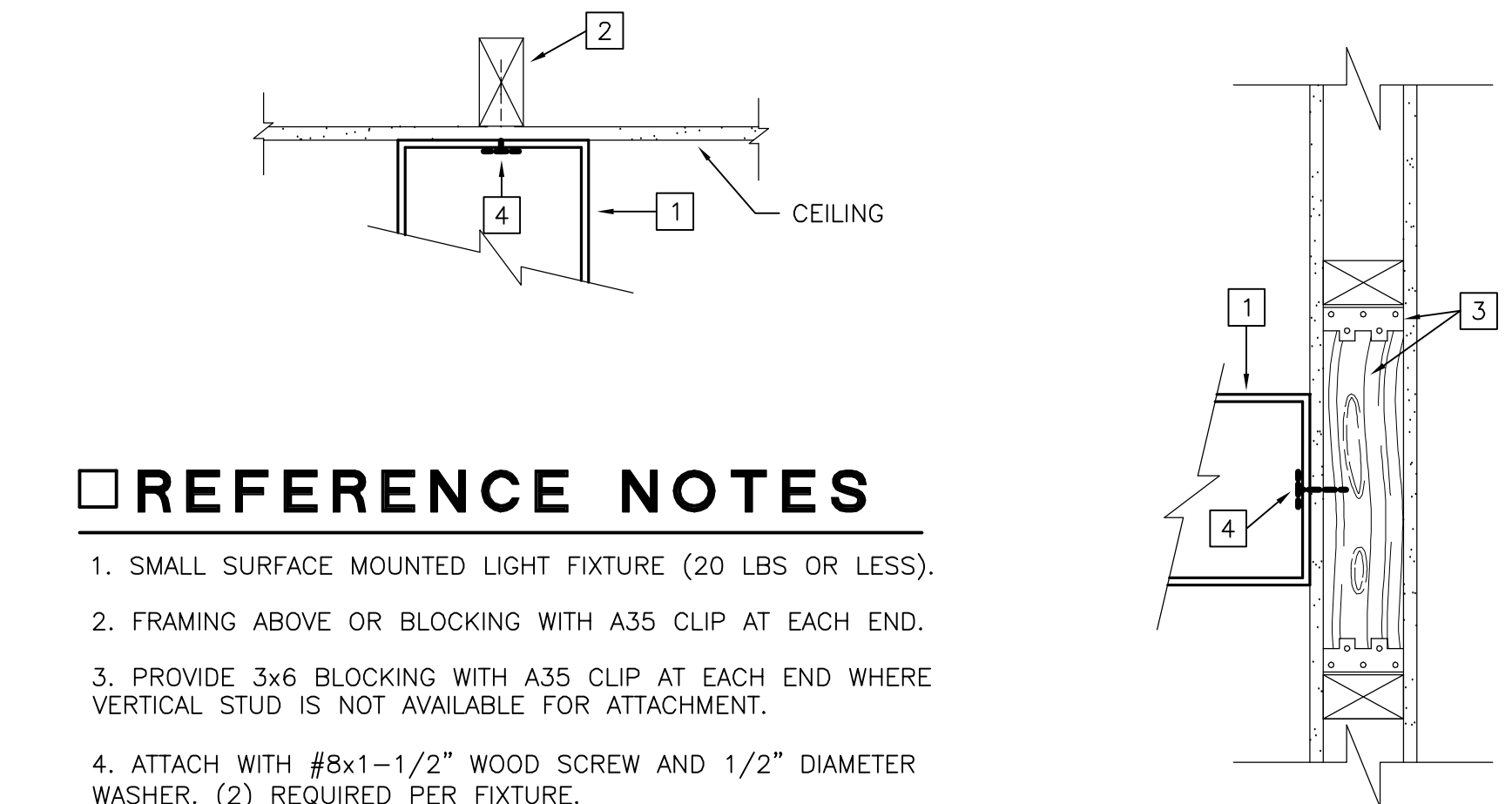
REFERENCE NOTES

1. FINISHED FLOOR.
2. PANELBOARD, CABINET OR ENCLOSURE. (MAXIMUM WEIGHT 300 LBS).
3. PROVIDE 4" x 6" WOOD STUD BLOCKING.
4. ATTACH WITH SDS 1/4"x1-1/2" SCREWS AND 1/2" DIAMETER WASHER, (1) EACH CORNER AND AT HORIZONTAL MID POINTS.



SURFACE PANEL MOUNTING DETAIL

SCALE: NTS



REFERENCE NOTES

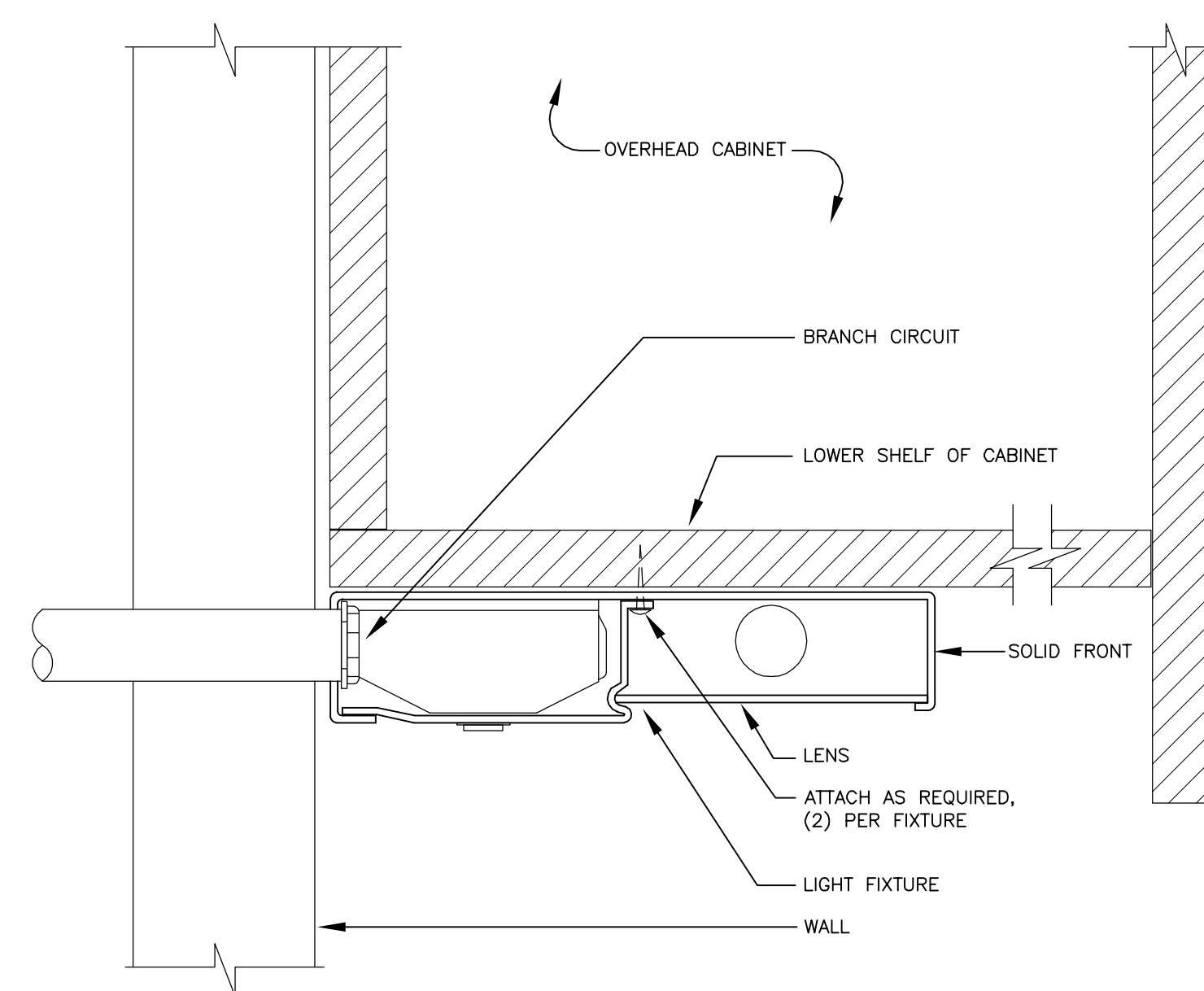
1. SMALL SURFACE MOUNTED LIGHT FIXTURE (20 LBS OR LESS).
2. FRAMING ABOVE OR BLOCKING WITH A35 CLIP AT EACH END.
3. PROVIDE 3x6 BLOCKING WITH A35 CLIP AT EACH END WHERE VERTICAL STUD IS NOT AVAILABLE FOR ATTACHMENT.
4. ATTACH WITH #8x1-1/2" WOOD SCREW AND 1/2" DIAMETER WASHER. (2) REQUIRED PER FIXTURE.

WALL/CEILING MOUNTED LIGHT FIXTURE TYPICAL MOUNTING DETAIL

SCALE: NTS

UNDERCABINET LIGHT FIXTURE MOUNTING DETAIL

SCALE: NTS



FIRE SPRINKLER MONITORING SYSTEM NOTES

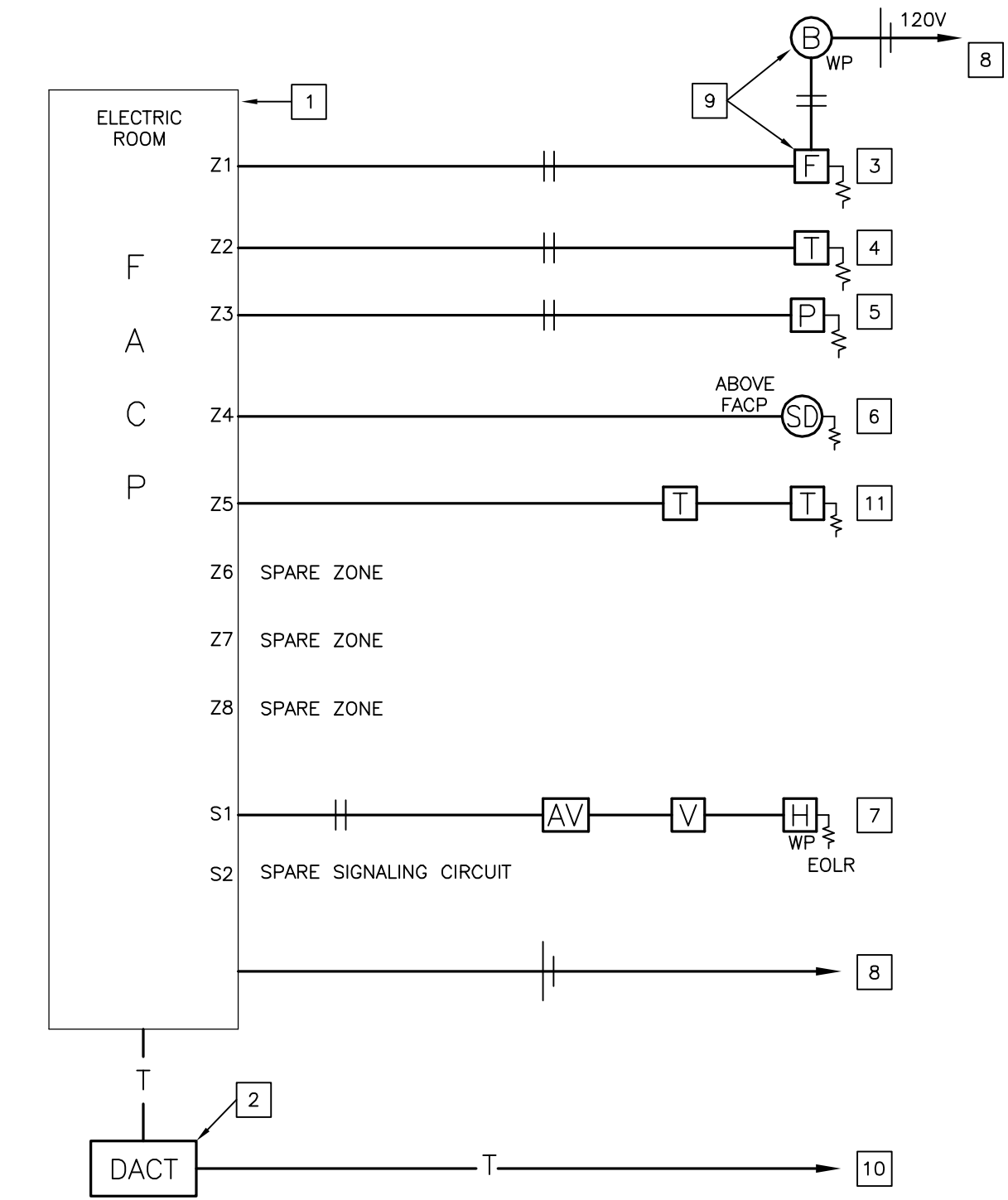
1. PROVIDE ALL WORK AND MATERIAL required for a complete and operating Authority(ies) Having Jurisdiction. Work shall include (but not be limited to):
 - a. Shop Drawings
 - b. Submittal for approval to Authority(ies) Having Jurisdiction
 - c. Complete installation and testing
 - d. System training for Owner's representative
 - e. Warranty
2. SUBMIT DETAILED FIRE ALARM PLANS, specifications and engineering calculations including but not necessarily limited to:
 - a. CSFM listing #'s and Manufacturer Model #'s for every system component which are to be interconnected as a part of this project.
 - b. Single line, riser and point to point wiring diagrams including battery and voltage drop calculations for the entire system.
 - c. Indication of conductor type(s), power-limited or non-power-limited system.
 - d. List of proposed zones for all initiating devices.
 - e. Matrix of system operation.
 - f. Information as required to demonstrate compliance with applicable Code(s) and gain approval of Authority(ies) having jurisdiction.
3. FIRE ALARM system installation shall not begin until separate permit has been obtained and all of the above has been accepted and signed by the Authority(ies) having jurisdiction and the Architect. After construction, provide accurate field record drawings to Owner.
3. FIRE ALARM CONTROL PANEL shall be provided with battery backup, minimum of 8 zones and 2 signal circuit with provisions for future expansion. Provide with dialer (DACT) and connect to communications system (2) dedicated voice lines as required to send separate and distinct signals (as required by the fire department) to an approved central station. Fire sprinkler riser waterflow and/or valve tamper switches shall be provided and installed by the Sprinkler System contractor, and wired back to the FACP by the Fire Alarm Contractor. Coordinate for proper voltage. All fire alarm components shall be California State Fire Marshal listed. Fire Alarm Control Panel shall be equal in all respects to the FIRE-LITE #MS-SERIES.

REFERENCE NOTES

1. MAIN FIRE ALARM CONTROL PANEL "FACP".
2. DIGITAL ALARM COMMUNICATIONS TRANSMITTER.
3. ZONE 1 - FIRE SPRINKLER RISER FLOW SWITCH.
4. ZONE 2 - FIRE SPRINKLER RISER TAMPER SWITCHES.
5. ZONE 3 - PULL STATIONS (AS OCCURRING).
6. ZONE 4 - SMOKE DETECTORS (AS OCCURRING).
7. SIGNAL DEVICES (AS OCCURRING).
8. DEDICATED 120V BRANCH CIRCUIT. (LOCKED HOT) SEE PLANS FOR CIRCUIT DESIGNATION.
9. 120V BELL AT SPRINKLER RISER. RING THROUGH FLOW SWITCH.
10. (2) DEDICATED VOICE LINES TO MAIN TELEPHONE TERMINAL BACKBOARD "TTB".
11. ZONE 5 - TAMPER SWITCH(ES) AT POST INDICATOR VALVE OR DOUBLE DETECTION CHECK VALVE.

FIRE ALARM INSTALLATION NOTES:

1. The fire sprinkler monitoring system shall conform to the California Electrical Code (CEC) Article 760, California Fire Code (CFC) Article 907 and 2002 NFPA 72 National Fire Alarm Code as amended by the California Building Code.
2. Detectors shall not be installed until the cleanup of all trades is completed and final. (2002 NFPA 72 Section 5.7.1.11)
3. Before requesting final approval of the installation the installing contractor shall furnish written statement to the Authority(ies) Having Jurisdiction to the effect that the system has been installed in accordance with approved plans and completely tested in accordance with manufacturer's specifications and appropriate NFPA requirement. (2002 NFPA 72 Section 4.5.1.2)
4. Upon completion of the installation of the fire alarm system, a satisfactory test of the system shall be made in the presence of the Authority(ies) Having Jurisdiction.
5. Please Note: Any reference to the fire alarm system on these plans, including locations of devices, have not been reviewed or approved by Authority(ies) Having Jurisdiction. Any reference to the fire alarm system is deferred for approval by Authority(ies) Having Jurisdiction following receipt of detailed plans.



FIRE SPRINKLER MONITORING SYSTEM RISER DIAGRAM

SCALE: NTS

PROJECT

ACCESSIBILITY IMPROVEMENTS

ROLLING HILLS APARTMENTS

TEMPLETON, CA

CLIENT JOB # ARCHITECT JOB #

0708B

FRASER SEIPLE ARCHITECTS

PROJECT MANAGER JT

DRAWN BY DM

DATES FIRST SUBMITTAL 5/28/10

PLAN CHECK 1 8/16/10

SIGNED

Thoma ENGINEERING

THOMA ELECTRIC, INC.

P.O. Box 1167 - 3562 Empire St. San Luis Obispo, CA 93408

Phone: (805) 543-3850 Fax: (805) 543-3829 cod@thomasec.com

EXPIRES: 06/30/11 THOMA #10-8055

The use of these plans and specifications shall be restricted to the original site for which they were prepared and publication thereof is expressly limited to such use. Reproduction or publication by any method, in whole or in part, is prohibited. Title to these plans and specifications remain with the architect without prejudice. Visual contact with these plans and specifications shall constitute prima facie evidence of the acceptance of these restrictions.

Written dimensions on these drawings shall have precedence over scaled dimensions. Contractors shall verify and be responsible for all dimensions and existing conditions on the job and shall report any discrepancies to the architect for resolution prior to commencing work.

SHEET TITLE

ELECTRICAL DETAILS

SHEET #

E4.0