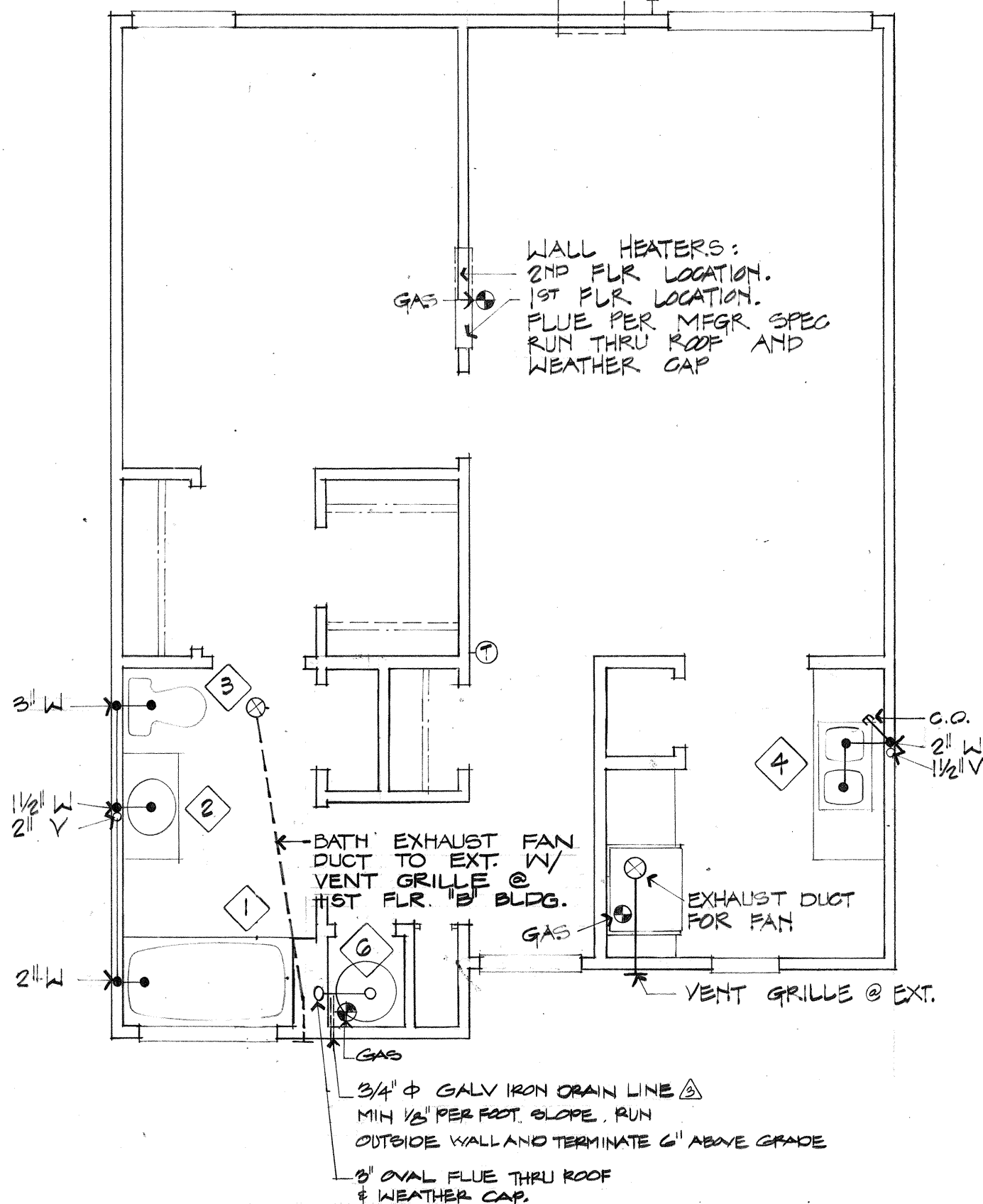


THE MECHANICAL SYSTEM DESIGN FOR THESE UNITS IS IN ACCORDANCE WITH GOOD TRADE PRACTICE.

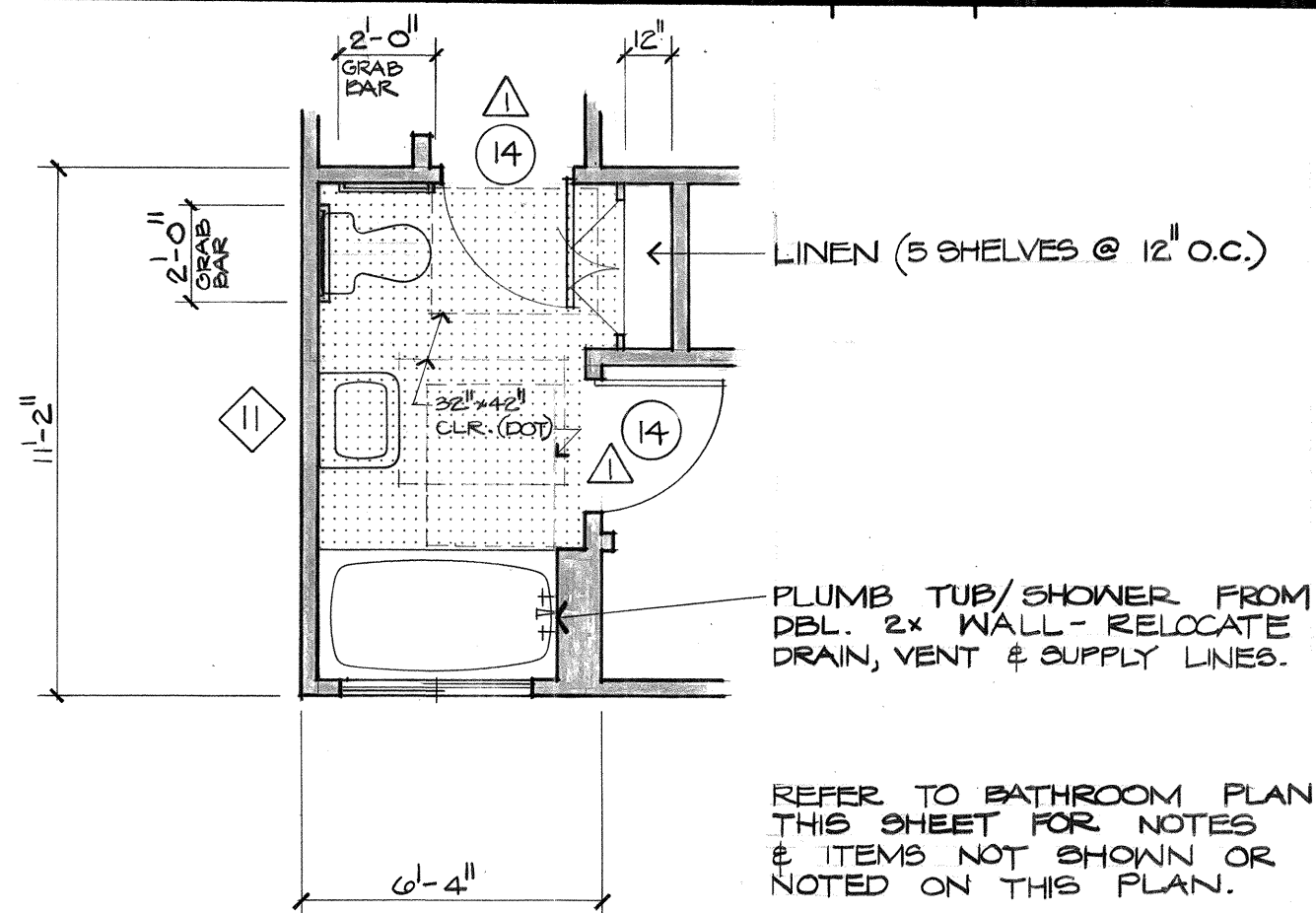
MECH. ENGINEER: *[Signature]*
 REVIEWED: 8-2-79
 REGISTRATION: 14752 *[Signature]*

AIR CONDITION UNIT MOUNT THRU WALL W/ TOP OF UNIT @ 6'-8" ABOVE FLOOR

HOSE BIB @ 1ST FLR UNITS

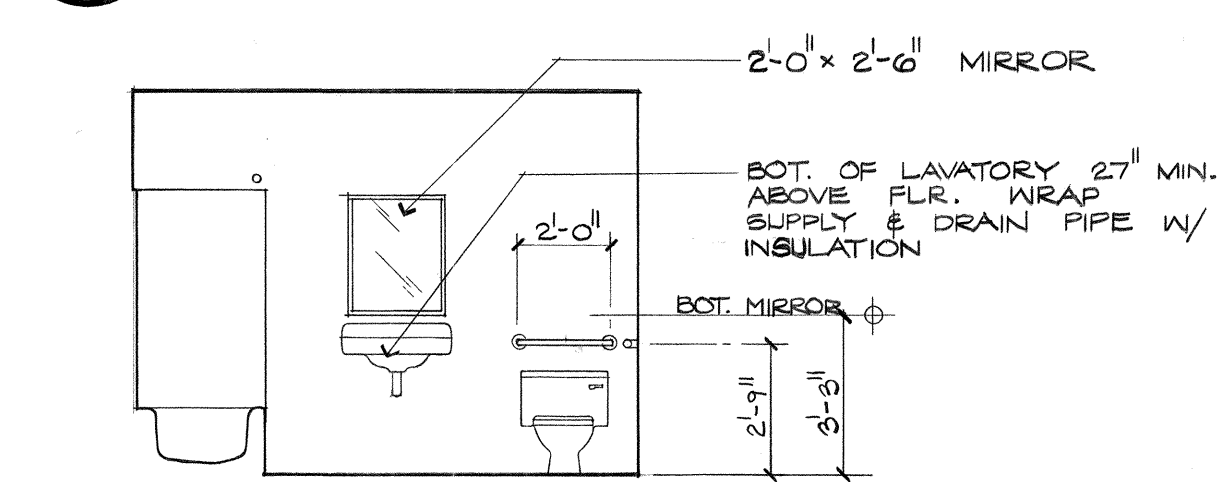


51 MECHANICAL PLAN
 SCALE: 1/4" = 1'-0"

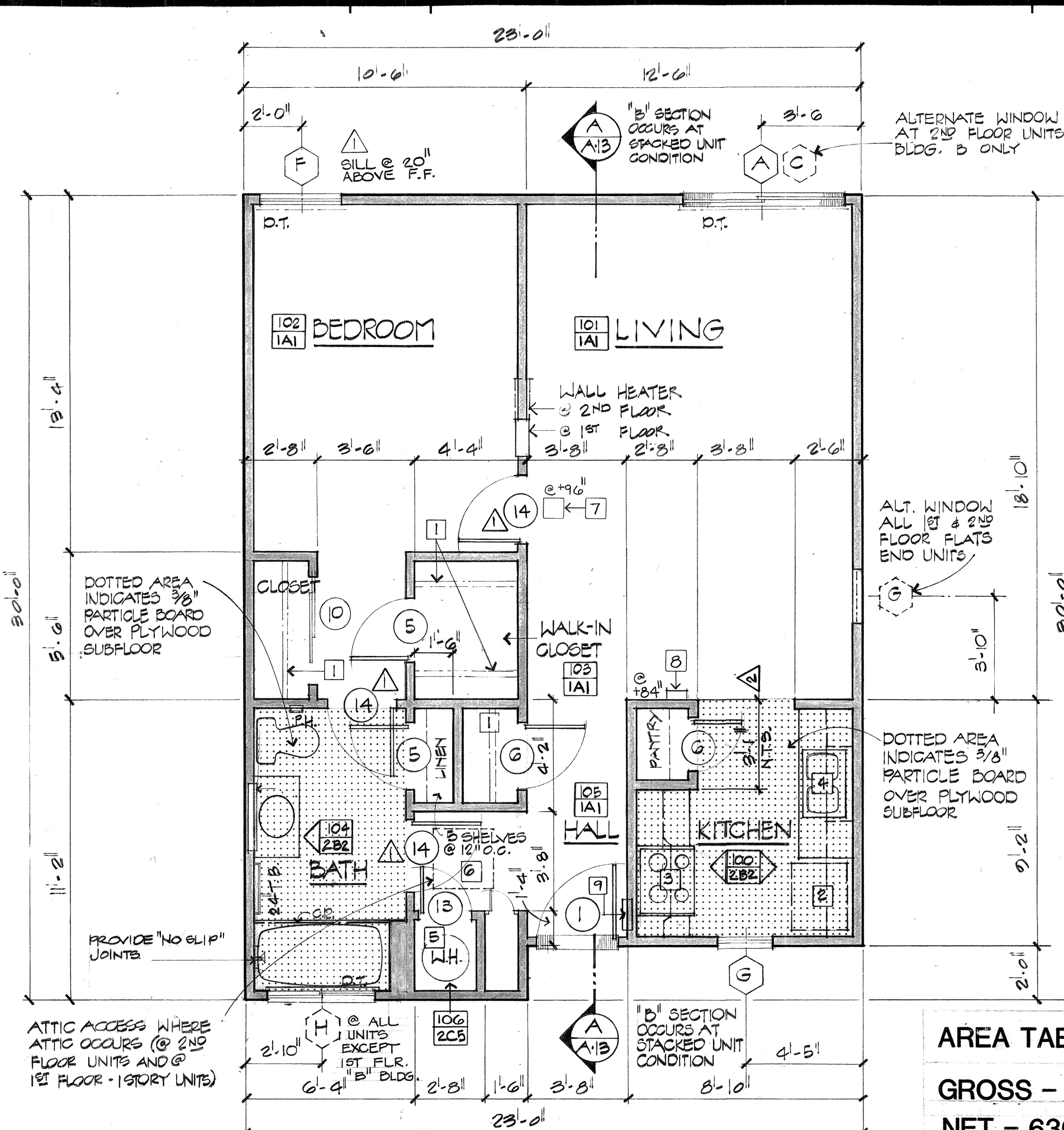


NOTE: ALL 1 BEDROOM FLATS IN BLDG. "D" (2) & BLDG. "E" (1) ARE TO HAVE THIS ALT. PLAN.

41 ALT. HANDICAP BATH PLAN
 1/4" = 1'-0"

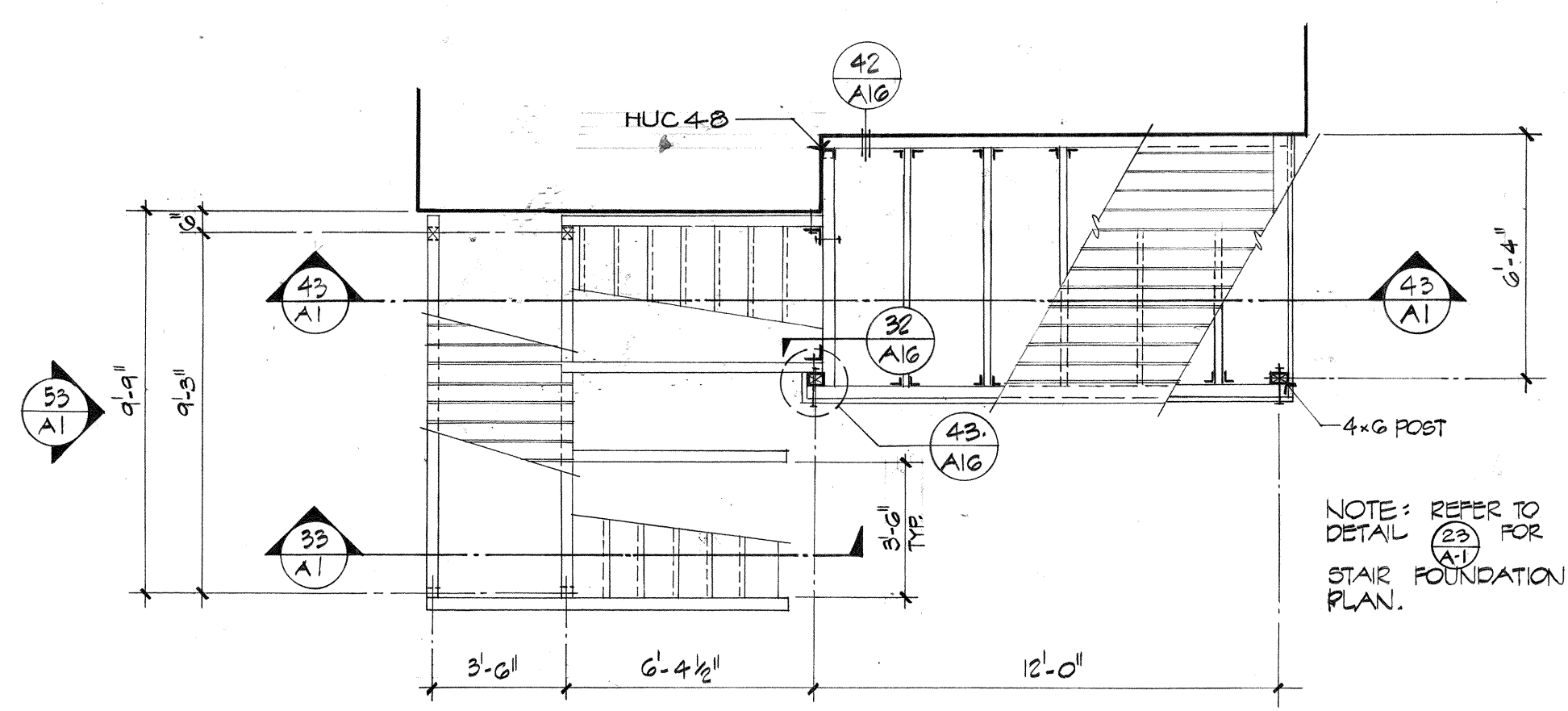


41 ELEV. @ HANDICAP BATH
 1/4" = 1'-0"



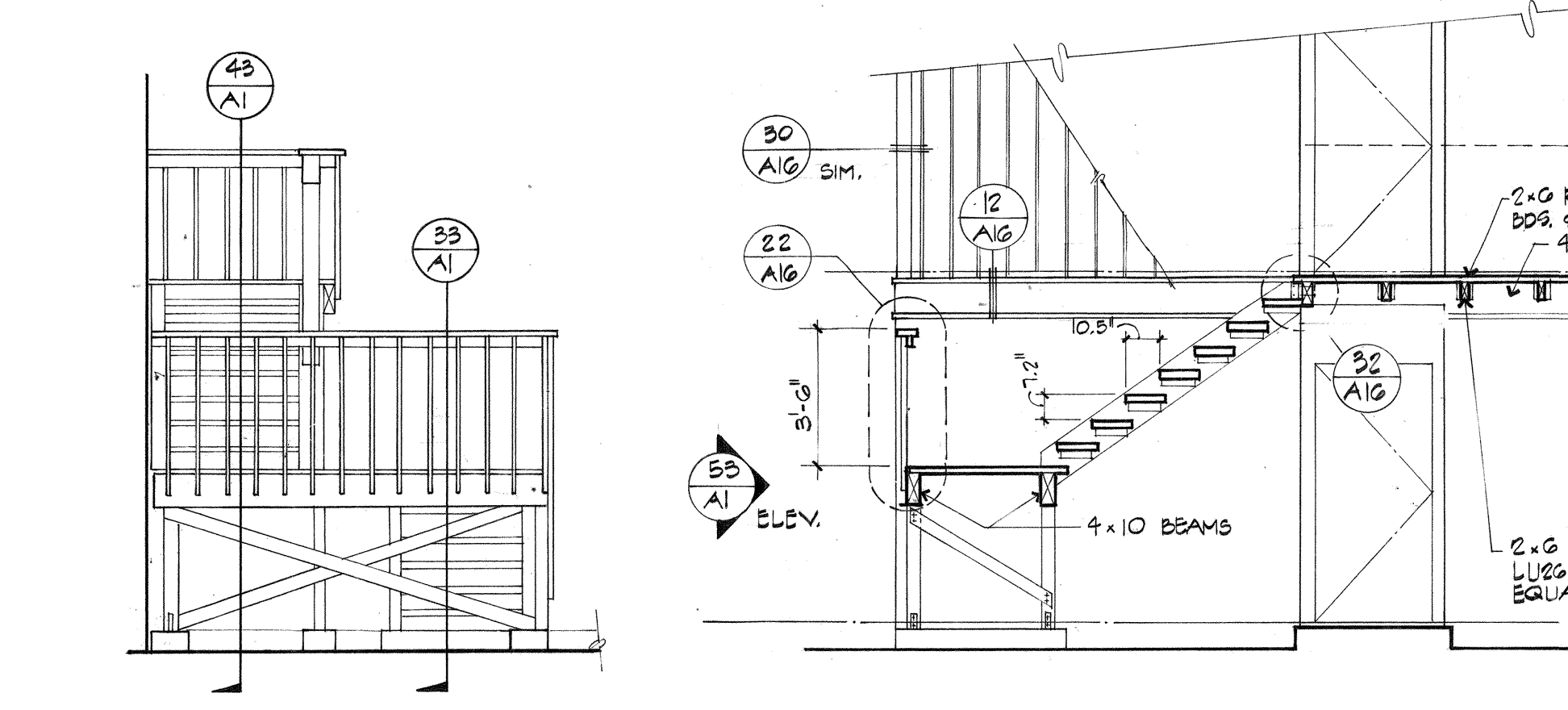
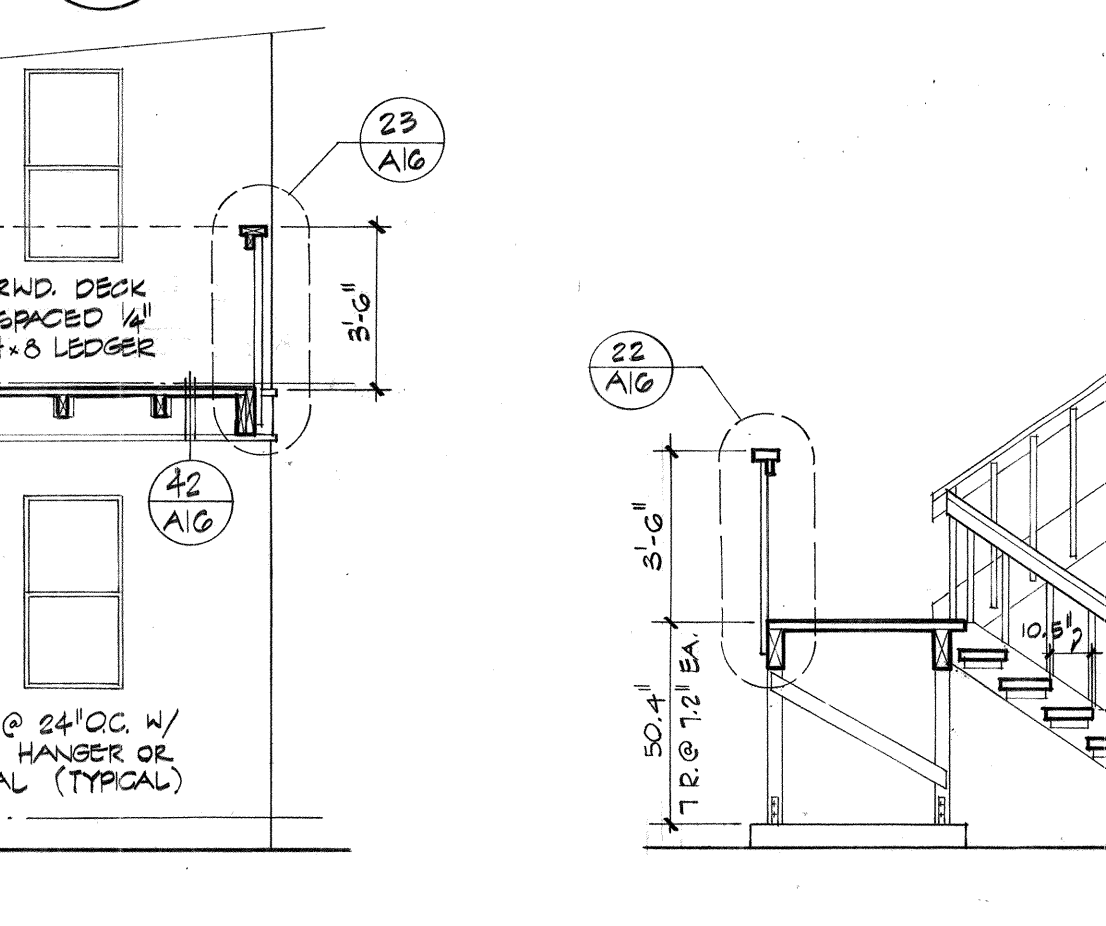
AREA TABULATION
 GROSS - 665 sf
 NET - 630 sf

21 FLOOR PLAN
 SCALE: 1/4" = 1'-0"



52 STAIR & BALCONY PLAN
 SCALE: 1/4" = 1'-0"

42 INTERIOR ELEVATIONS
 SCALE: 1/4" = 1'-0"



53 LANDING ELEV